

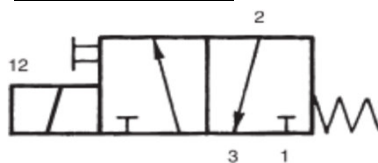
230 V AC / 24 V DC

TECHNICAL DATA

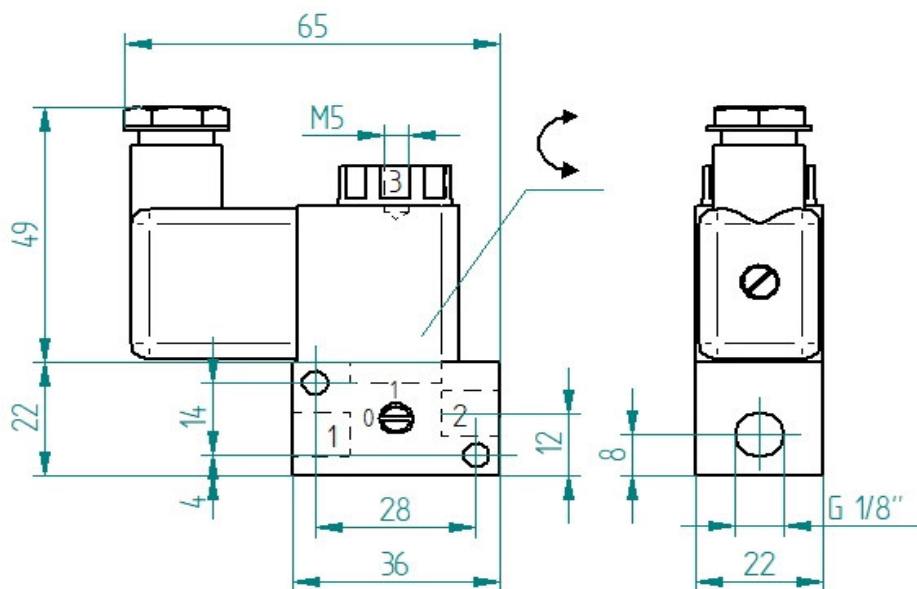
Connection:	G 1/8"	Design and function	Directly operated seat valve with feather transfer to reserve. Turning on by long-term signal.
Nominal width:	1,3 mm		In neutral position is closed 1 and 2 is aired after 3.
Nominal flow:	50 l/min		In switch position is passageway of 1 after 2.
Working pressure:	0...10 bar		
Switch time with 6 cash:	10/12 ms		
Temperature area:	-20°C up to max. +70°C		
State kind tension:	24 V		
Achievement admission:	3 W		
Protective kind:	IP 65, DIN 40050		
Weight:	140 g		
Materials:	Case AL anodizes, steel rustproof, Ms, seals NBR		
Medium :	filtered, oiled or not oiled compressed air		



Connection picture



Art. Nr.	Voltage
49892013	230 V AC
49892014	24 V DC



Valve magnet

Dimensions:	MA 22 (22 mm)
Achievement admission:	DC 3 W DC 2,5 W AC 5 VA AC 3 VA
Tension tolerance:	± 10% ± 10%

