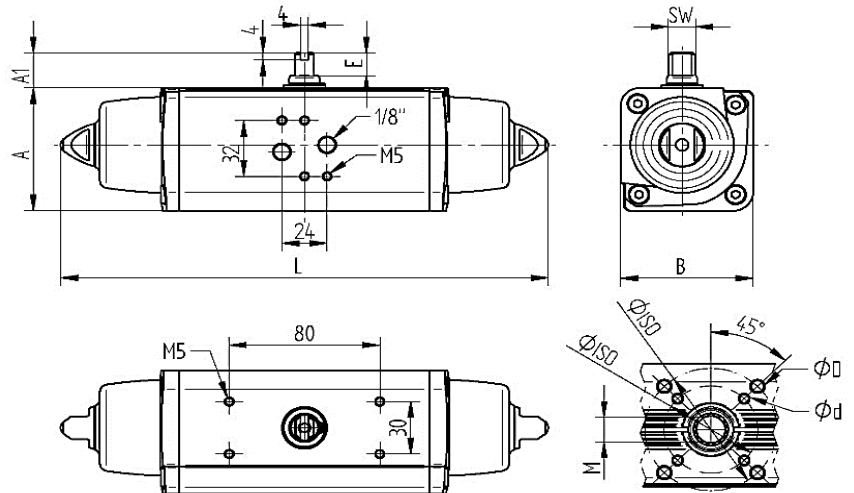


## SR- SINGLE ACTING SPRING RETURN

### Technical data

Design characteristic:	Scotch yoke with rolling friction
Piston guidance:	Self-centering inside of the housing
Body:	Extruded aluminum alloy
End caps:	Die cast aluminum black coated
End caps seals:	NBR
Pinion [Drive shaft]:	Stainless steel
Piston:	Die cast aluminum alloy
Piston Pinion seals:	NBR, FKM-FPM
Rotation Stroke:	92° (-1°, +91°) adjustable
Temperature range:	-20°C up to +80°C
	FKM-FPM-Sealing up to max. +150°C
Torque max.:	See the table below
Spring:	Steel alloy
Number of springs:	2 pieces [1 per side]

Pilot pressure:	Designed for 5,6 bars
Pilot medium:	Filtered and lubricated air [Pneurop/ISO class 4]
Actuator connection:	Acc.to DIN EN 5211
Control valve:	Acc. to Namur or VDI/VDE 3845
Signalling devices:	Acc. to Namur or VDI/VDE 3845
Approval:	ATEX acc. to 2014/34/EU



### Torque Nm by 5,6 bar

Item No.		Nm	A	A1	B	L	E	M	Ø ISO	Ød	ØD	SW	Weight
WESA	OMAL	[5,6 bar]	[mm]	[mm]	[mm]	[mm]	[mm]	[mm]	[mm]	[mm]	[mm]	[mm]	[Kg]
SR01	SRN 15	15	42,7	15	42,7	233	10	11	F03 F05	M5x8	M6x9	9	1,20
SR02	SRN 30	30	52	20	52	259	13	14	F05 F07	M6x9	M8x12	10	1,95
SR03	SRN 53	53	59,2	20	59,2	304	13	17	F05 F07	M6x9	M8x12	12	3,00
SR04	SRN 60	60	64,5	20	64,5	361	13	17	F05 F07	M6x9	M8x12	12	3,35
SR05	SRN 90	90	64,5	20	64,5	394	16	22	F07 F10	M8x12	M10x15	15	5,90
SR06	SRN 120	120	70,4	20	70,4	410	17	22	F07 F10	M8x12	M10x15	15	6,80
SR07	SRN 180	180	70,4	20	70,4	474	19	22	F07 F10	M8x12	M10x15	19	8,90
SR08	SRN 240	240	83,3	20	83,3	521	19	27	F10 F12	M10x15	M12x18	19	11,80
SR09	SRN 360	360	87	20	87	613	19,5	27	F10 F12	M10x15	M12x18	22	16,50
SR10	SRN 480	480	107,5	30	107,5	648	19,5	36	F10 F12	M10x15	M12x18	24	22,70
SR11	SRN 720	720	111,1	30	111,1	798	19,5	36	F12	M12x18	-	27	33,00
SR12	SRN 960	960	118	30	118	828	18,5	46	F12 F14	M12x18	M20x30	32	42,00

09/2023

Measurements, as well as pictures are non-binding. We reserve ourselves changes according to the state of the technology

WESA-Armaturen GmbH \* 73650 Winterbach \*Spanninger Straße 5 \* Telefon: +49 (0) 7181 404-0 · Telefax: +49 (0) 7181 404-33

www.wesa-armaturen.de

e-mail : info@wesa-armaturen.de