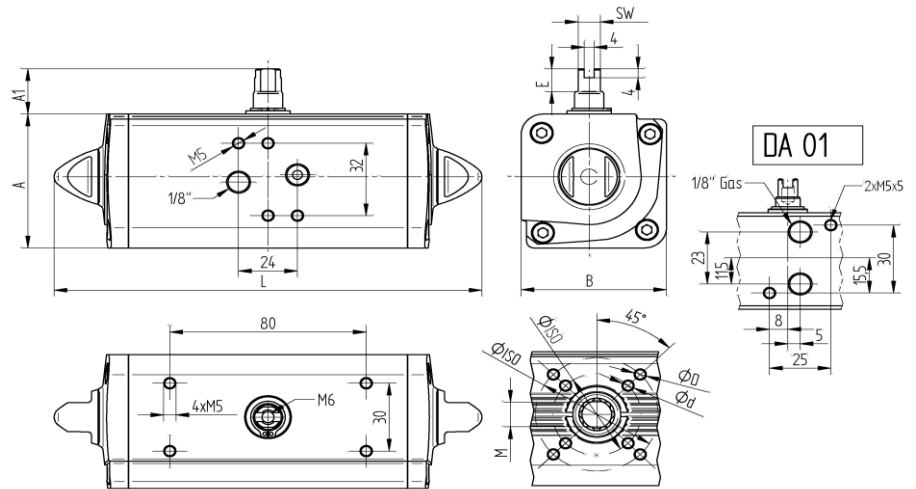


DA-DOUBLE ACTING

Technical data

Make: OMAL S.p.A
Design characteristic: Scotch yoke with rolling friction
Piston guidance: Self-centering inside of the housing
Body: Extruded aluminum alloy
End caps: Die cast aluminum black coated
End caps seals: NBR
Pinion [Drive shaft]: Stainless steel
Piston: Die cast aluminum alloy
Piston|Pinion seals: NBR|FKM
Rotation|Stroke: 90° | ±5° from 90° position adjustable
Temperature range: -20°C up to +80°C
 FKM-FPM-sealing, up to max. 150°C
Torque max.: See the table below

Pilot pressure: Designed for 5,6 bars
Control medium: Filtered and lubricated air [Pneurop/ISO class 4]
Actuator connection: Acc.to DIN EN 5211
Control valve: Acc. to Namur or VDI/VDE 3845
Signalling devices: Acc. to Namur or VDI/VDE 3845
Approval: ATEX acc. to 2014/34/EU



Torque Nm by 5,6 bar

Article No.	Nm	A	A1	L	Ø ISO	ød	øD	M	B	E	SW	Weight
WESA	OMAL	[5,6 bar]	[mm]	[mm]	[mm]	[mm]	[mm]	[mm]	[mm]	[mm]	[mm]	[Kg]
DA01	DA 08	8	42,7	15	70,0	F03	M5x8	-	9	43,2	8	0,29
DA02	DAN 15	15	52,0	20	159,1	F03	M5x8	-	11	52,0	10	0,75
DA03	DAN 30	30	59,2	20	174,3	F03 F05	M5x8	M6x9	11	59,2	10	1,00
DA04	DAN 45	45	64,5	20	188,5	F04	M5x8	-	11	64,5	13	1,20
DA05	DAN 45	45	64,5	20	188,5	F03 F05	M5x8	M6x9	11	64,5	13	1,20
DA06	DAN 60	60	70,4	20	198,1	F04	M6x9	M8x12	14	70,4	13	1,60
DA07	DAN 60	60	70,4	20	198,1	F05 F07	M6x9	M8x12	14	70,4	13	1,60
DA08	DAN 106	90	83,3	20	237,1	F05 F07	M6x9	M8x12	17	83,3	13	2,50
DA09	DAN 120	120	87,0	20	257,4	F05 F07	M6x9	M8x12	17	87,0	13	2,60
DA10	DAN 180	180	107,5	30	289,9	F07 F10	M8x12	M10x15	22	107,5	16	4,60
DA11	DAN 240	240	111,1	30	313,6	F07 F10	M8x12	M10x15	22	111,1	17	5,40
DA12	DAN 360	360	118,0	30	339,3	F07 F10	M8x12	M10x15	22	118,0	19	6,50
DA13	DAN 480	480	134,9	30	387,7	F10 F12	M10x15	M12x18	27	134,9	19	9,60
DA14	DAN 720	720	148,0	30	433,0	F10 F12	M10x15	M12x18	27	148,0	19,5	12,00
DA15	DAN 960	960	168,0	30	479,4	F10 F12	M10x15	M12x18	36	168,0	19,5	17,40