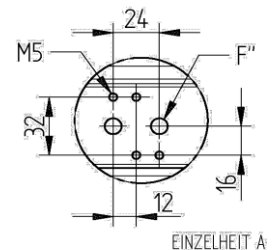
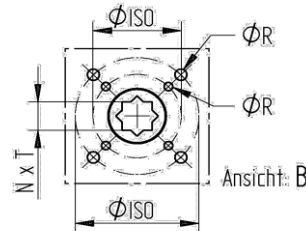
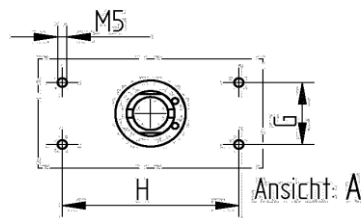
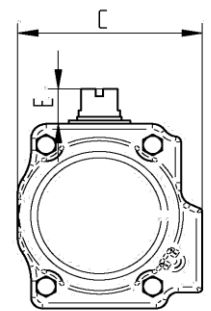
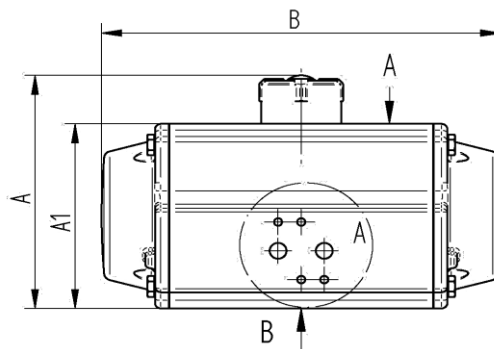
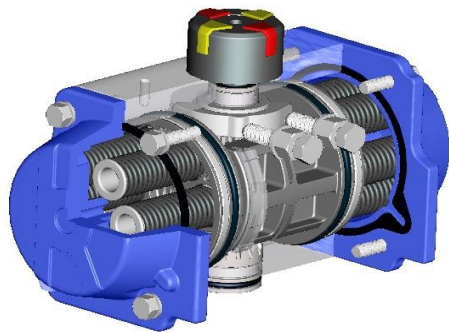


## PE- SINGLE ACTING SPRING RETURN

### Technical data

Design characteristic:	Rack and pinion system	Pilot pressure:	Designed for 6 bars
Piston guidance:	Self-centering inside of the housing	Control medium:	Filtered and lubricated air [Pneurop/ISO class 4]
Body:	Extruded aluminum alloy	Actuator connection:	Acc.to DIN EN 5211
End caps:	Die cast aluminum RAL 5002 blue coated	Control valve:	Acc. to Namur or VDI/VDE 3845
End caps seals:	NBR	Signalling devices:	Acc. to Namur or VDI/VDE 3845
Pinion [Drive shaft]:	Steel alloy nickel plated	Approval:	ATEX acc. to 2014/34/EU
Piston Rack:	Die cast aluminum anodized		
Piston Pinion seals:	NBR		
Rotation Stroke:	90°   ±5° from 90° position adjustable		
Temperature range:	-15°C up to +80°C FKM-FPM-sealing, up to max. 150°C		
Torque max.:	See the table below		
Number of springs:	10 pieces [5 per side]		



Article No.	SPRING pcs	Nm		A1 [mm]	A [mm]	B [mm]	C [mm]	NxT [mm]	E [mm]	Ø ISO	H [mm]	øR [mm]	G [mm]	F'' [mm]	Weight [Kg]
		≪ 0°	≪ 90°												
PE01	2 x 5	7	10	70	90	154	71	11x12	20	F03 F05	80	M5/M6	30	1/4"	1,25
PE02	2 x 5	17	26	89	109	189	90	14x16	20	F05 F07	80	M6/M8	30	1/4"	2,21
PE03	2 x 5	21	34	100	120	210	103	14x16	20	F05 F07	80	M6/M8	30	1/4"	3,29
PE04	2 x 5	33	52	113	133	229	113	17x19	20	F05 F07	80	M6/M8	30	1/4"	4,26
PE05	2 x 5	44	70	123	143	264	126	17x19	20	F05 F07	80	M6/M8	30	1/4"	5,86
PE06	2 x 5	57	92	136	156	266	139	17x19	20	F07 F10	80	M8/M10	30	1/4"	7,17
PE07	2 x 5	102	160	161	191	337	157	22x25	30	F07 F10	80	M8/M10	30	1/4"	12,54
PE08	2 x 5	165	245	178	208	377	178	27x31	30	F10 F12	80	M10/M12	30	1/4"	15,93
PE09	2 x 5	220	325	200	230	412	196	27x31	30	F10 F12	130	M10/M12	30	1/4"	23,75
PE10	2 x 5	364	522	232	262	488	217	36x41	30	F10 F14	130	M10/M16	30	1/4"	33,81
PE11	2 x 5	491	718	255	285	550	236	36x40	30	F14	130	M16	30	1/4"	48,43
PE12	2 x 5	821	1.108	292	322	602	262	46x50	30	F16	130	M20	30	1/2"	77,76
PE13	2 x 5	1.119	1.572	331	361	672	295	46x50	30	F16	130	M20	30	1/2"	90,60
PE14	2 x 5	1.382	2.064	354	384	784	335	46x50	30	F16	130	M20	30	1/2"	135,60
PE15	2 x 5	1.989	2.951	410	440	845	385	46x50	30	F16 F25	130	M20/M16	30	1/2"	188,10
PE16	2 x 5	3.152	4.602	466	496	956	520	55x60	30	F25	130	M16	30	1/2"	283,50