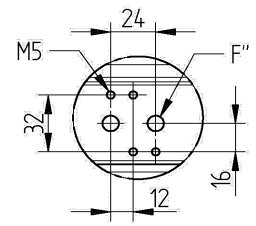
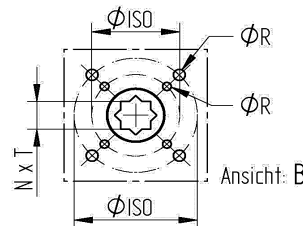
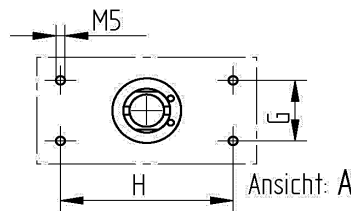
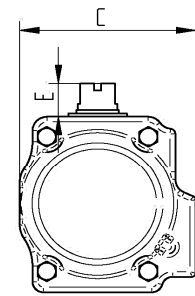
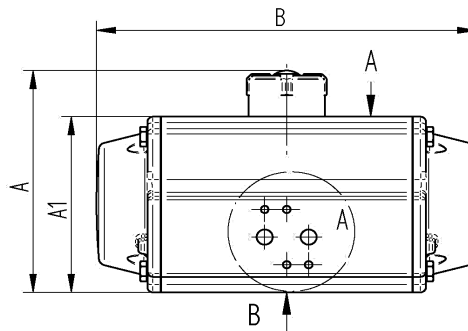


PD - DOUBLE ACTING

Technical data

Design characteristic:	Rack and pinion system	Pilot pressure:	Designed for 6 bars
Piston guidance:	Self-centering inside of the housing	Control medium:	Filtered and lubricated air [Pneurop/ISO class 4]
Body:	Extruded aluminum alloy	Actuator connection:	Acc.to DIN EN 5211
End caps:	Die cast aluminum RAL 5002 blue coated	Control valve:	Acc. to Namur or VDI/VE 3845
End caps seals:	NBR	Signalling devices:	Acc. to Namur or VDI/VE 3845
Pinion [Drive shaft]:	Steel alloy nickel plated	Approval:	ATEX acc. to 2014/34/EU
Piston Rack:	Die cast aluminum anodized		
Piston Pinion seals:	NBR		
Rotation Stroke:	90° ±5° from 90° position adjustable		
Temperature range:	-15°C up to +80°C		
	FKM-FPM-sealing, up to max. 150°C		
Torque max.:	See the table below		



Article No.	Nm	A1	A	B	C	E	N	T	Ø ISO	H	øR	G	F''	Weight
	[6 bar]	[mm]	[mm]	[mm]	[mm]	[mm]	[mm]	[mm]	[mm]	[mm]	[mm]	[mm]	[mm]	[Kg]
PD01	7	50	70	110	47	20	9	10	F03	50	M5	30	1/8"	0,47
PD02	22	70	90	154	71	20	11	12	F03 F05	80	M5/M6	30	1/4"	1,13
PD03	44	89	109	189	90	20	14	16	F05 F07	80	M6/M8	30	1/4"	1,97
PD04	68	100	120	210	103	20	14	16	F05 F07	80	M6/M8	30	1/4"	2,93
PD05	100	113	133	229	113	20	17	19	F05 F07	80	M6/M8	30	1/4"	3,78
PD06	141	123	143	264	126	20	17	19	F05 F07	80	M6/M8	30	1/4"	5,14
PD07	183	136	156	266	139	20	17	19	F07 F10	80	M8/M10	30	1/4"	6,09
PD08	327	161	191	337	157	30	22	25	F07 F10	80	M8/M10	30	1/4"	10,86
PD09	483	178	208	377	178	30	27	31	F10 F12	80	M10/M12	30	1/4"	13,77
PD10	670	200	230	412	196	30	27	31	F10 F12	130	M10/M12	30	1/4"	20,15
PD11	1.054	232	262	488	217	30	36	41	F10 F14	130	M10/M16	30	1/4"	28,41
PD12	1.471	255	285	550	236	30	36	40	F14	130	M16	30	1/4"	40,03
PD13	2.282	292	322	602	262	30	46	50	F16	130	M20	30	1/2"	52,60
PD14	3.209	331	361	672	295	30	46	50	F16	130	M20	30	1/2"	73,64
PD15	4.129	354	384	784	335	30	46	50	F16	130	M20	30	1/2"	108,00
PD16	6.128	410	440	845	385	30	46	50	F16 F25	130	M20/M16	30	1/2"	146,70
PD17	9.337	466	496	956	520	30	55	60	F25	130	M16	30	1/2"	220,50