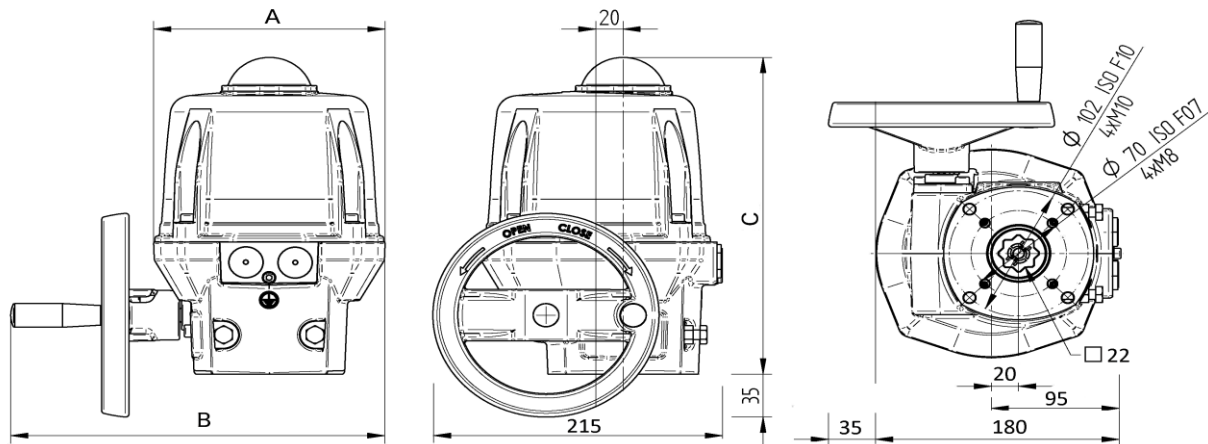


Technical data
VR28-VR36 [Make Valves VSX]

Control voltage:	400V TRI, 100V-240V AC 50/60 Hz [100V-350V DC] 15V-30V AC 50/60Hz [12V-48V DC]
Mode of operation:	*OPEN* *CLOSE*
Turning angle:	Standard 0°-90°
Operating temperature:	-20°C up to +70°C -10°C up to +40°C by battery block
Electrical connections:	2 female threads M20 x 1.5
Limit switches:	2 switches for 90° rotation 2 switches for feedback *OPEN* *CLOSE*
Protection class:	IP 68
Actuator connection:	Acc. to DIN ISO 5211
Housing:	Aluminum cover coated
Position indicator:	Rotary handle with integrated position indicator
Manual override:	Rotary handle on drive
Approval:	ATEX II 2 G D-Ex d IIB T6 Gb



Article WESA	Article Valves	A mm	B mm	C mm	Nm	Sek.	M.Power	ø ISO	□	Weight (Kg)
400V TRI ATEX										
VR 28	VSX100	170	275	274	100	10	135	F07 F10	22	5,60
VR 29	VSX150	170	225	212	150	20	135	F07 F10	22	5,60
VR 30	VSX300	170	225	212	300	35	135	F07 F10	22	5,60

Article WESA	Article Valves	A mm	B mm	C mm	Nm	Sek.	M.Power	ø ISO	□	Weight (Kg)
100-240 V 50/60Hz AC ATEX										
VR 31	VSX100	170	225	212	100	15	45	F07 F10	22	5,60
VR 32	VSX150	170	225	212	150	30	45	F07 F10	22	5,60
VR 33	VSX300	170	225	212	300	60	45	F07 F10	22	5,60

Article WESA	Article Valves	A mm	B mm	C mm	Nm	Sek.	M.Power	ø ISO	□	Weight (Kg)
15V-30V DC ATEX										
VR 34	VSX100	170	225	212	100	15	45	F07 F10	22	5,60
VR 35	VSX150	170	225	212	150	30	45	F07 F10	22	5,60
VR 36	VSX300	170	225	212	300	60	45	F07 F10	22	5,60