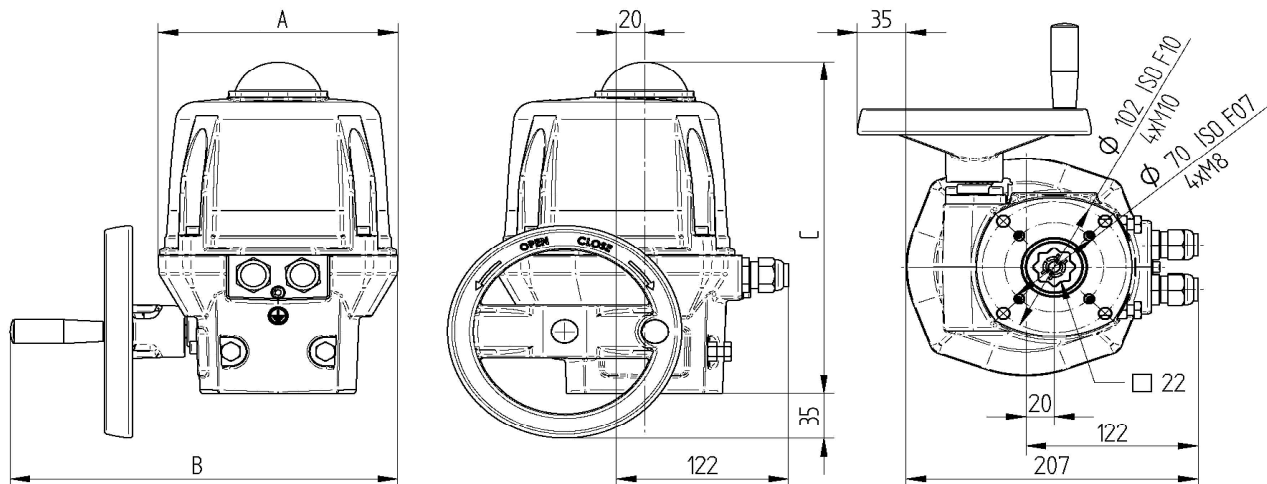


**Technical data**

<b>Control voltage:</b>	<b>VR19-VR27 [Make Valves VS]</b> 400V TRI, 100V-240V AC 50 60 Hz [100V-350V DC] 15V-30V AC 50 60Hz [12V-48V DC]
<b>Mode of operation:</b>	*OPEN* *CLOSE*
<b>Turning angle:</b>	Standard 0°-90°
<b>Operating temperature:</b>	-20°C up to +70°C   -10°C up to +40°C by battery block
<b>Electrical connections:</b>	2 PG cable glands ISO M20
<b>Limit switches:</b>	2 switches for 90° rotation 2 switches for feedback *OPEN* *CLOSE*
<b>Protection class:</b>	IP 68
<b>Actuator connection:</b>	Acc. to DIN ISO 5211
<b>Housing:</b>	Aluminum cover   Polyamide PA6 UL94V
<b>Position indicator:</b>	Rotary handle with integrated position indicator
<b>Manual override:</b>	Rotary handle on drive



Article WESA	Article Valves	A mm	B mm	C mm	Nm	Sek.	M.Power	ø ISO	□	Weight (Kg)
<b>400V TRI</b>										
VR 19	VS100	170	275	274	100	10	135	F07 F10	22	5,60
VR 20	VS150	170	275	274	150	20	135	F07 F10	22	5,60
VR 21	VS300	170	275	274	300	35	135	F07 F10	22	5,60

Article WESA	Article Valves	A mm	B mm	C mm	Nm	Sek.	M.Power	ø ISO	□	Weight (Kg)
<b>100-240 V 50/60Hz AC</b>										
VR 22	VS100	170	275	274	100	15	45	F07 F10	22	5,60
VR 23	VS150	170	275	274	150	30	45	F07 F10	22	5,60
VR 24	VS300	170	275	274	300	60	45	F07 F10	22	5,60

Article WESA	Article Valves	A mm	B mm	C mm	Nm	Sek.	M.Power	ø ISO	□	Weight (Kg)
<b>15V-30V DC</b>										
VR 25	VS100	170	275	274	100	15	45	F07 F10	22	5,60
VR 26	VS150	170	275	274	150	30	45	F07 F10	22	5,60
VR 27	VS300	170	275	274	300	60	45	F07 F10	22	5,60