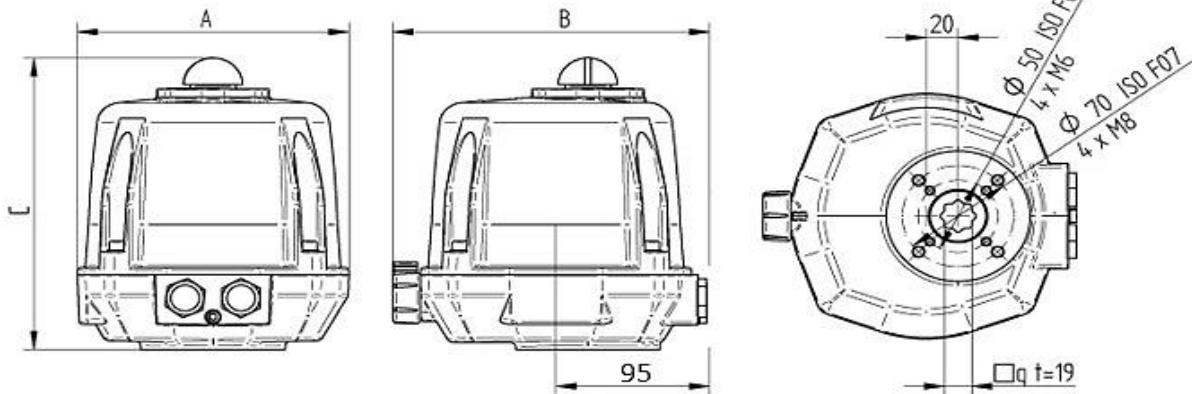


Technical data

Control voltage:	VR10-VR18 [Make Valpes VRX] 400V TRI, 100V-240V AC 50/60 Hz [100V-350V DC] 15V-30V AC 50/60Hz [12V-48V DC]
Mode of operation:	*OPEN* *CLOSE*
Turning angle:	0°-90°
Operating temperature:	-20°C up to +70°C -10°C up to +40°C by battery block
Electrical connections:	2 female threads M20 x 1.5
Limit switches:	2 switches for 90° rotation 2 switches for feedback *OPEN* *CLOSE*
Protection class:	IP 68
Actuator connection:	Acc. to DIN ISO 5211
Housing:	Aluminum cover coated
Position indicator:	Rotary handle with integrated position indicator
Manual override:	Rotary handle on drive
Approval:	ATEX II 2 G D-Ex d IIB T6 Gb



Article WESA	Article Valpes	A mm	B mm	C mm	Nm	Sek.	M.Power	ø ISO	□	Weight (Kg)
400V TRI ATEX										
VR 10	VRX25	170	198	212	25	10	52	F05 F07	17	3,10
VR 11	VRX45	170	198	212	45	10	52	F05 F07	17	3,10
VR 12	VRX75	170	198	212	75	15	52	F05 F07	17	3,10

Article WESA	Article Valpes	A mm	B mm	C mm	Nm	Sek.	M.Power	ø ISO	□	Weight (Kg)
100-240 V 50/60Hz AC ATEX										
VR 13	VRX25	170	198	212	25	7	45	F05 F07	17	3,10
VR 14	VRX45	170	198	212	45	15	45	F05 F07	17	3,10
VR 15	VRX75	170	198	212	75	20	45	F05 F07	17	3,10

Article WESA	Article Valpes	A mm	B mm	C mm	Nm	Sek.	M.Power	ø ISO	□	Weight (Kg)
15V-30V DC ATEX										
VR 16	VRX25	170	198	212	25	7	45	F05 F07	17	3,10
VR 17	VRX45	170	198	212	45	15	45	F05 F07	17	3,10
VR 18	VRX75	170	198	212	75	20	45	F05 F07	17	3,10