

Technical data **VR01-VR09** [Make Valves VR]

Control voltage: 400V TRI, 100V-240V AC 50|60 Hz [100V-350V DC]
15V-30V AC 50|60Hz [12V-48V DC]

Mode of operation: *OPEN* *CLOSE*

Turning angle: 0°-90°

Operating temperature: -20°C up to +70°C | -10°C up to +40°C by battery block

Electrical connections: 2 PG cable gland ISO M20

Limit switches: 2 switches for 90° rotation
2 switches for feedback *OPEN* *CLOSE*

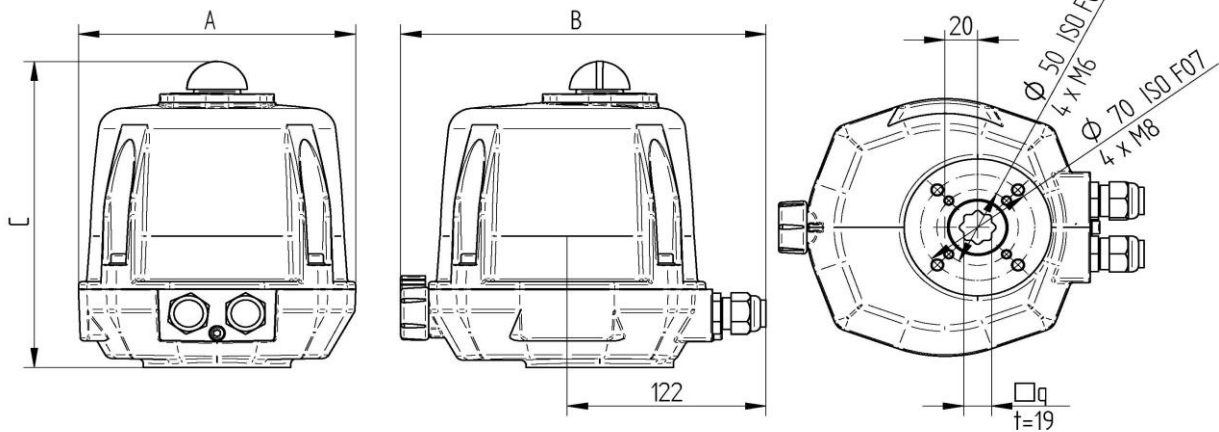
Protection class: IP 68

Actuator connection: Acc. to DIN ISO 5211

Housing: Aluminum cover | Polyamide PA6 UL94V

Position indicator: Rotary handle with integrated position indicator

Manual override: Rotary handle on drive



Article WESA	Article Valves	A mm	B mm	C mm	Nm	Sec.	M.Power	ø ISO	□	Weight (Kg)
--------------	----------------	------	------	------	----	------	---------	-------	---	-------------

400V TRI

VR 01	VR25	170	225	212	25	10	52 W	F05 F07	17	3,10
VR 02	VR45	170	225	212	45	10	52 W	F05 F07	17	3,10
VR 03	VR75	170	225	212	75	15	52 W	F05 F07	17	3,10

Article WESA	Article Valves	A mm	B mm	C mm	Nm	Sec.	M.Power	ø ISO	□	Weight (Kg)
--------------	----------------	------	------	------	----	------	---------	-------	---	-------------

100-240 V 50/60Hz AC

VR 04	VR25	170	225	212	25	7	45 W	F05 F07	17	3,10
VR 05	VR45	170	225	212	45	15	45 W	F05 F07	17	3,10
VR 06	VR75	170	225	212	75	20	45 W	F05 F07	17	3,10

Article WESA	Article Valves	A mm	B mm	C mm	Nm	Sec.	M.Power	ø ISO	□	Weight (Kg)
--------------	----------------	------	------	------	----	------	---------	-------	---	-------------

15V-30V DC

VR 07	VR25	170	225	212	25	7	45 W	F05 F07	17	3,10
VR 08	VR45	170	225	212	45	15	45 W	F05 F07	17	3,10
VR 09	VR75	170	225	212	75	20	45 W	F05 F07	17	3,10

06/2024