

**Technical data** **ER 2-WIRE AND RELAY** [Make Valves ER Plus]

Control voltage: 100V-240V AC 50|60 Hz [100V-350V DC]  
15V-30V AC 50|60Hz [12V-48V DC]

Mode of operation: \*OPEN\* \*CLOSE\*

Turning angle: Standard 0°-90°

Operating temperature: -10°C up to +55°C | -10°C up to +40°C by battery block

Electrical connections: 1 cable socket DIN 43650 3-pole + T  
1 PG cable gland ISO M20

Limit switches: 2 switches for 90° rotation  
2 switches for feedback \*OPEN\* \*CLOSE\*

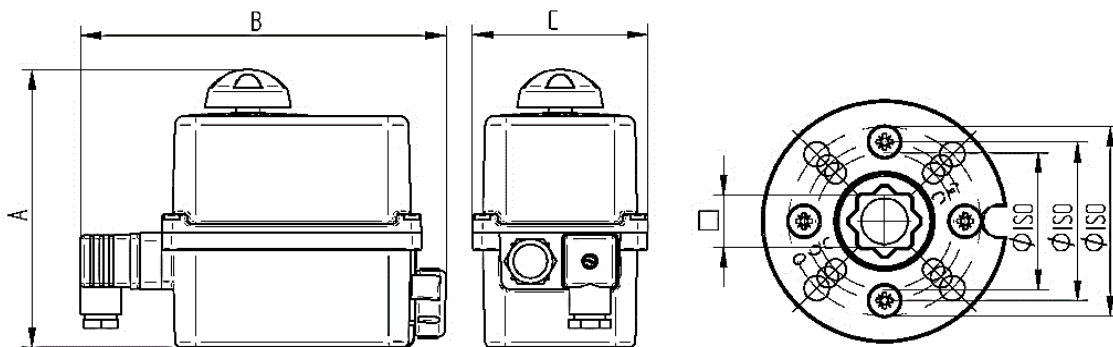
Protection class: IP 66

Actuator connection: Acc. to DIN ISO 5211

Housing | cover: Polyamide PA6.6 black | Polyamide PA6.6 blue

Position indicator: Rotary handle with integrated position indicator

Manual override: Rotary handle on drive



Article WESA	Article Valves		A mm	B mm	C mm	Nm	Sec.	Watt	ø ISO	□	Weight (Kg)	
<b>100-240V AC</b>			<b>15V-30V AC 2-WIRE AND RELAY</b>									
ER01	ER10	ER06	ER10	153	189	92	10	11	15	F03-F04-F05	14	1,20
ER02	ER20	ER07	ER20	153	189	92	20	12	15	F03-F04-F05	14	1,20
ER03	ER35	ER08	ER35	181	204	128	35	7	45	F05/F07	22	1,20
ER04	ER60	ER09	ER60	181	204	128	60	12	45	F05/F07	22	2,30
ER05	ER100	ER10	ER100	181	204	128	100	23	45	F05/F07	22	2,30

Article WESA	Article Valves		A mm	B mm	C mm	Nm	Sec.	Watt	ø ISO	□	Weight (Kg)	
<b>100-240V AC</b>			<b>15V-30V AC with battery block automatic rewind in case of power failure</b>									
ER11	ER10	ER16	ER10	153	189	92	10	11	15	F03-F04-F05	14	1,20
ER12	ER20	ER17	ER20	153	189	92	20	12	15	F03-F04-F05	14	1,20
ER13	ER35	ER18	ER35	181	204	128	35	7	45	F05/F07	22	1,20
ER14	ER60	ER19	ER60	181	204	128	60	12	45	F05/F07	22	2,30
ER15	ER100	ER20	ER100	181	204	128	100	23	45	F05/F07	22	2,30

Article WESA	Article Valves		A mm	B mm	C mm	Nm	Sec.	Watt	ø ISO	□	Weight (Kg)	
<b>100-240V AC</b>			<b>15V-30V AC control via posi 4-20 mA / 0-10 V</b>									
ER21	ER20	ER25	ER20	153	189	92	20	25	15	F03-F04-F05	14	1,20
ER22	ER35	ER26	ER35	181	204	128	35	40	45	F05/F07	22	1,20
ER23	ER60	ER27	ER60	181	204	128	60	79	45	F05/F07	22	2,30
ER24	ER100	ER28	ER100	181	204	128	100	119	45	F05/F07	22	2,30

05/2024