

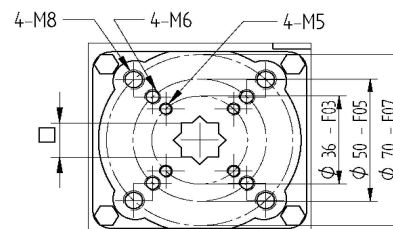
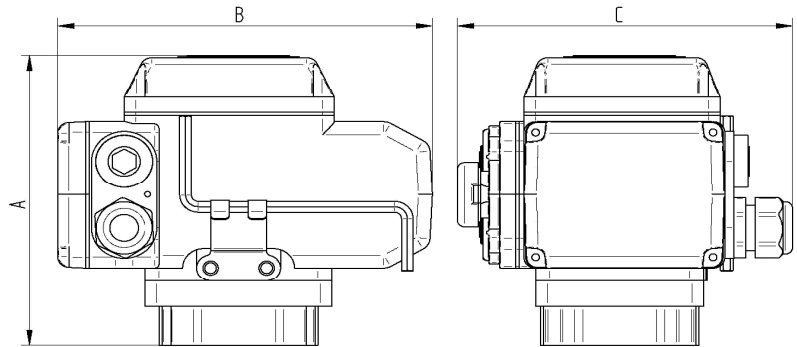
## AE04 - AE19

### Technical data

**AE04**  
 Control voltage: 230V AC 50/60 Hz  
 Torque: 30 Nm  
 Operating time: Approx. 12 seconds for 90° by 30 Nm  
 Turning angle: 0° - 90°  
 Motor power: 10 W  
 Mode of operation: \*OPEN\* \*CLOSE\*  
 Operating temperature: -25°C up to +55°C  
 Electrical connections: 1 M20 Screw connection: Voltage supply  
 1 M20 Screw connection: Position feedback signal  
 Limit switches: 2 switches for 90° rotation  
 2 switches for feedback \*OPEN\* \*CLOSE\*  
 Actuator connection Acc. to DIN ISO 5211  
 ISO-Flange connection: F03 | F05 | F07  
 Star drive: 9x9 | 11x11 | 14x14  
 Protection class: IP 67  
 Housing | cover: Aluminium alloy coated  
 Manual override: Allen key  
**OTHER MOTOR SIZES** See the table

### Technical data

**AE05**  
 Control voltage: 24V DC  
 Torque: 30 Nm  
 Operating time: Approx. 12 seconds for 90° by 30 Nm  
 Turning angle: 0° - 90°  
 Motor power: 10 W  
 Mode of operation: \*OPEN\* \*CLOSE\*  
 Operating temperature: -25°C up to +55°C  
 Electrical connections: 1 M20 Screw connection: Voltage supply  
 1 M20 Screw connection: Position feedback signal  
 Limit switches: 2 switches for 90° rotation  
 2 switches for feedback \*OPEN\* \*CLOSE\*  
 Actuator connection Acc. to DIN ISO 5211  
 ISO-Flange connection: F03 | F05 | F07  
 Star drive: 9x9 | 11x11 | 14x14  
 Protection class: IP 67  
 Housing | cover: Aluminium alloy coated  
 Manual override: Allen key  
**OTHER MOTOR SIZES** See the table



ARTICLE-SIZE		TORQUE	OP.TIME	M.POWER	A	B	C	□	ISO FLANGE	WEIGHT
230V AC	24V DC	Nm	Sek   90°	Watt	mm	mm	mm	mm	DIN ISO 5211	Kg
AE04	AE05	30	12	10   13	134	162	138	14	F03 F05 F07	2,85
AE06	AE07	50	25	10   13	134	162	138	14	F03 F05 F07	2,85
AE08		50	100	10	134	162	138	14	F03 F05 F07	2,85
AE09	AE10	100	30	25	158	196	145	17	F05 F07	4,20
AE11	AE12	200	30	40   35	196	255	182	22	F07 F10	9,30
AE13	AE14	400	30	90   70	196	255	182	27	F07 F10	9,90
AE15	AE16	600	45	90   70	196	255	182	27	F10 F12	8,50
AE17		1.000	30	120	215	310	241	27	F10 F12	17,00
AE18		1.600	48	140	215	310	241	27	F10 F12	18,00
AE19		2.500	75	140	235	310	241	36	F10 F12	18,00