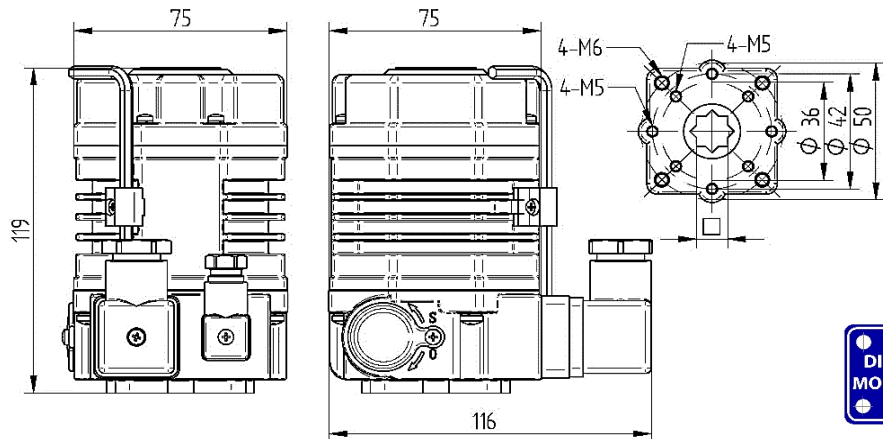


Technical data	AE01 with 2 external connectors	AE02 with 2 external connectors	AE03 with cable connector
Control voltage:	230V AC 50/60 Hz	24V DC	24V AC 50/60 Hz
Torque:	18 Nm	18 Nm	18 Nm
Operating time:	Approx. 15 seconds for 90° by 18 Nm	Approx. 10 seconds for 90° by 18 Nm	Approx. 15 seconds for 90° by 18 Nm
Mode of operation:	*OPEN* *CLOSE*	*OPEN* *CLOSE*	*OPEN* *CLOSE*
Turning angle:	0°-90°	0°-90°	0°-90°
Motor power:	6W	8W	6W
Operating temperature:	-25°C up to +55°C	-25°C up to +55°C	-25°C up to +55°C
Electrical connections:	1 connector: Voltage supply 1 connector: Position feedback signal	1 connector: Voltage supply 1 connector: Position feedback signal	Screw connection G 1/2" 1 x ISO M20
Limit switches:	2 switches for 90° rotation 2 switches for feedback *OPEN* *CLOSE*	2 switches for 90° rotation 2 switches for feedback *OPEN* *CLOSE*	2 switches for 90° rotation 2 switches for feedback *OPEN* *CLOSE*
Actuator connection	Acc. to DIN ISO 5211	Acc. to DIN ISO 5211	Acc. to DIN ISO 5211
ISO-Flange connection:	F03 F04 F05	F03 F04 F05	F03 F04 F05
Star drive:	9x9 11x11	9x9 11x11	9x9 11x11
Protection class:	IP 64	IP 64	IP 67
Housing cover:	Aluminium alloy coated	Aluminium alloy coated	Aluminium alloy coated
Manual override:	Allen key	Allen key	Allen key

Electric actuator AE01 | AE02



Electric actuator AE03

