

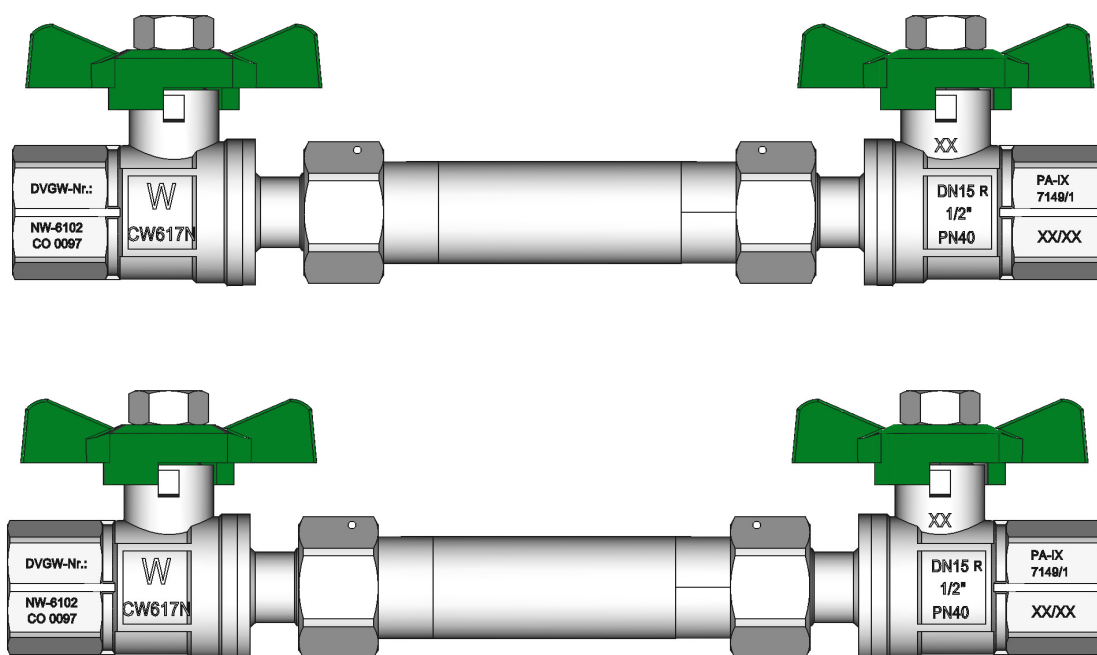
Horizontal mounting

Water meter instalation sets, consisting of:

Item No. **755** (DVGW-Drinking water ball valve with union nut)

Item No. **97708712** (Pipe nipple stainless steel)

NOTE: Pipe nipple not suitable for continuous use!



Water meter instalation set are available in the following sizes:

Art.Nr.	4 x 755 (IGxÜWM)		2 x 97708712 (AGxAG)		PN
80350001	755-44	1/2" - 1/2"	97708712-44-80	1/2" x 80mm	10
80350002	755-45	1/2" - 3/4"	97708712-55-80	3/4" x 80mm	10
80350003	755-55	3/4" x 3/4"	97708712-55-110	3/4" x 110mm	10
80350004	755-55	3/4" x 3/4"	97708712-55-130	3/4" x 130mm	10
80350005	755-56	3/4" x 1"	97708712-66-110	1" x 110mm	10
80350006	755-56	3/4" x 1"	97708712-66-130	1" x 130mm	10
80350007	755-66	1" x 1"	97708712-66-110	1" x 110mm	10
80350008	755-66	1" x 1"	97708712-66-130	1" x 130mm	10

Other sizes on request.

Detailed information of the individual articles can be found in the respective product data sheets.