

Stainless steel

TECHNICAL DATA

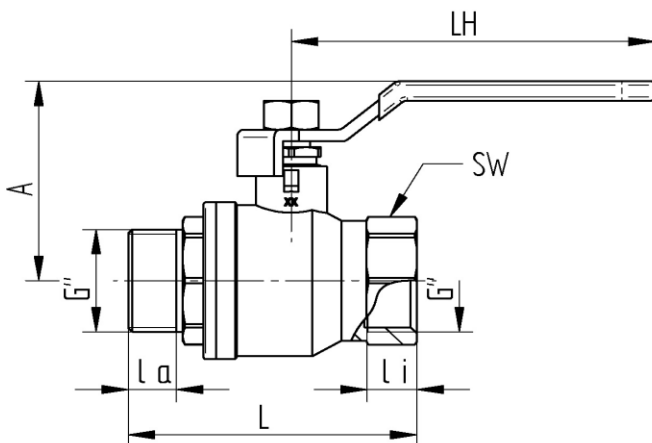
Construction:	2-way full bore ball valve	Medium nominal pressure	Temperature-dependent
Design:	2-part design		Max. 40 bar
Connection end:	According to DIN EN ISO 228-1		Max. 10 bar for drinking water
Body:	Stainless steel 1.4408	Medium temperature:	Pressure dependent
Screw-in socket:	Stainless steel 1.4408		-20°C up to +180°C
Ball:	Stainless steel 1.4408 with flushing hole		0°C up to +65°C for drinking water
Stem:	Stainless steel 1.4408 Blow-out proof		[90°C for max. 30 Minutes]
Ball seal:	PTFE TFM1600	Actuation:	Handlever stainless steel, PVC sleeve green
Stem seal:	PTFE TFM1600 EPDM		

Approval:

- DIN DVGW DRINKING WATER
- DIN EN 13828 | DVGW W570-1 PN10



Connecting thread female/male



Art. Nr.	G"	DN	L mm	la mm	li mm	A mm	LH mm	SW mm	PN bar	Weight (g)
9391-03	3/8"	10	48	9	9	38	94	20	40	164
9391-04	1/2"	15	61	10	10	43	94	25	40	248
9391-05	3/4"	20	69	12	12	49	94	31	40	358
9391-06	1"	25	81	13	13	59	115	38	40	527
9391-07	1 1/4"	32	91	16	16	68	130	48	25	911
9391-08	1 1/2"	40	102	16	18	76	130	54	25	1215
9391-09	2"	50	115	16	18	88	154	66	25	2121