

Stainless steel

TECHNICAL DATA

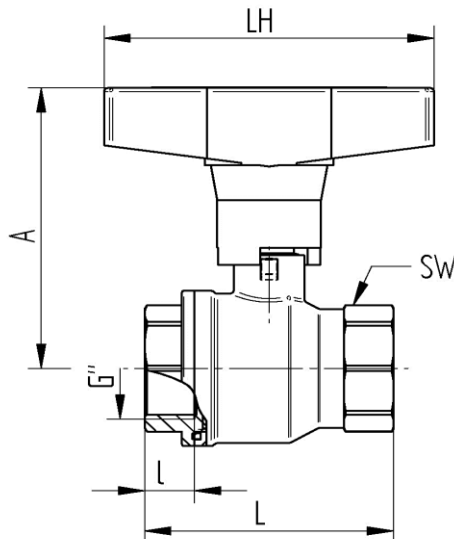
Construction:	2-way full bore ball valve	Medium nominal pressure	Temperature-dependent
Design:	2-part design		Max. 40 bar
Connection end:	According to DIN EN ISO 228-1		Max. 10 bar for drinking water
Body:	Stainless steel 1.4408	Medium temperature:	Pressure dependent
Screw-in socket:	Stainless steel 1.4408		-20°C up to +180°C
Ball:	Stainless steel 1.4408 with flushing hole		0°C up to +65°C for drinking water
Stem:	Stainless steel 1.4401 Blow-out proof		[90°C for max. 30 Minutes]
Ball seal:	PTFE TFM1600	Actuation:	T-Handlever aluminum green coated
Stem seal:	PTFE TFM 1600 EPDM		

Approval:

- DIN DVGW DRINKING WATER
- DIN EN 13828 | DVGW W570-1 PN10



Connecting thread female/female



Item No.	G"	DN	Lmm	l mm	A mm	LH mm	SW mm	PN bar	CVS (cbm/h)	Weight (g)
9380-03	3/8"	12	40	9	61,5	80	20	40	4,92	175
9380-04	1/2"	15	50	10	67	80	25	40	8,14	230
9380-05	3/4"	20	60	12	72,5	80	31	40	23,46	340
9380-06	1"	25	68	13	79,5	80	38	40	38,67	460
9380-07	1 1/4"	32	80	16	86,5	120	48	25	52,00	820
9380-08	1 1/2"	40	94	18	93,5	120	54	25	86,60	1190
9380-09	2"	50	106	18	106,5	120	66	25	160,20	2010