

Brass

TECHNICAL DATA

temperature range : -20°C up to +120°C, pressure-dependent

pressure range : max. PN 40 bar
compressed air max. 20 bar

drinking water PN10

press-connecting: CW 617 N, nickel plated

body material : CW 617 N, nickel plated

ball : CW 617 N, chromed
with self-cleaning system

ball seals : PTFE

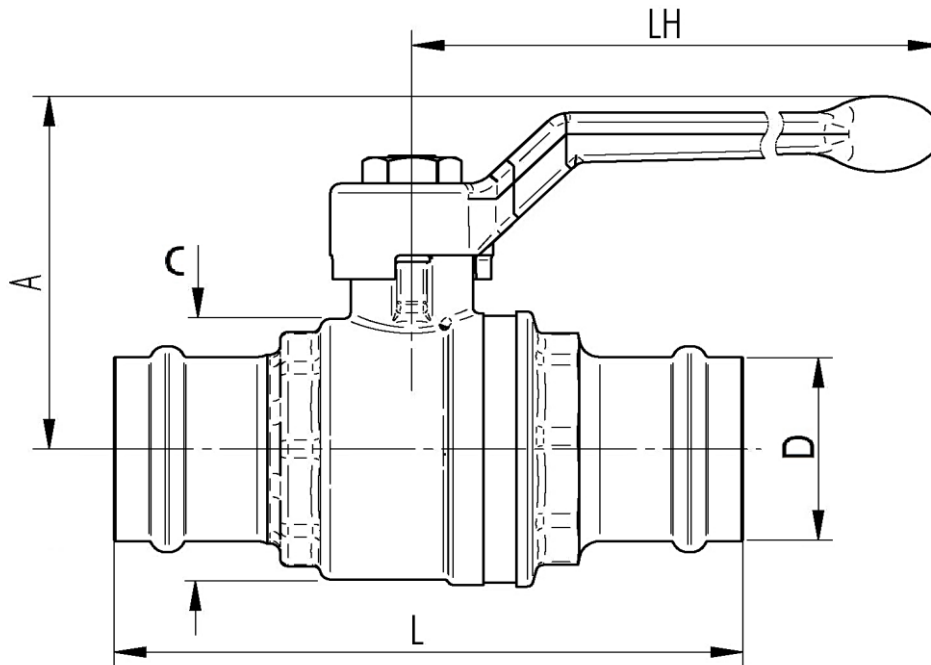
stem : CW 617 N

stem seals : PTFE

handle: aluminium, green painted

Licensing: DIN-DVGW-permissance for drinking water according to DIN EN 13828 and W570

Press-fit-system using press tools



Art.Nr.	DN	øDN mm	L mm	A mm	LH mm	øC mm	PN bar	weight (g)	Clamping Tool	VIEGA	MANNESMANN
858-15	15	15	93	41	85	31	10	215	15x15	OK	OK
858-18	18	15	94	49	85	31	10	215	18x18	OK	OK
858-22	22	20	104	57	105	38	10	340	22x22	OK	OK
858-28	28	25	110	61	105	47	10	500	28x28	OK	OK
858-35	35	32	123	70	130	58	10	800	35x35	OK	OK
858-42	42	40	158	79	130	70	10	-	42x42	OK	NO
858-54	54	50	179	97	165	86	10	-	54x54	OK	NO