

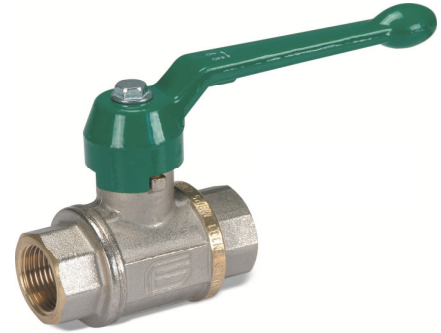
Brass

TECHNICAL DATA

temperature range : -20°C up to +130°C, pressure-dependent
 temperature water: 0°C up to max. + 65°C
 pressure range : max. PN 63 bar, compressed air max. 20 bar

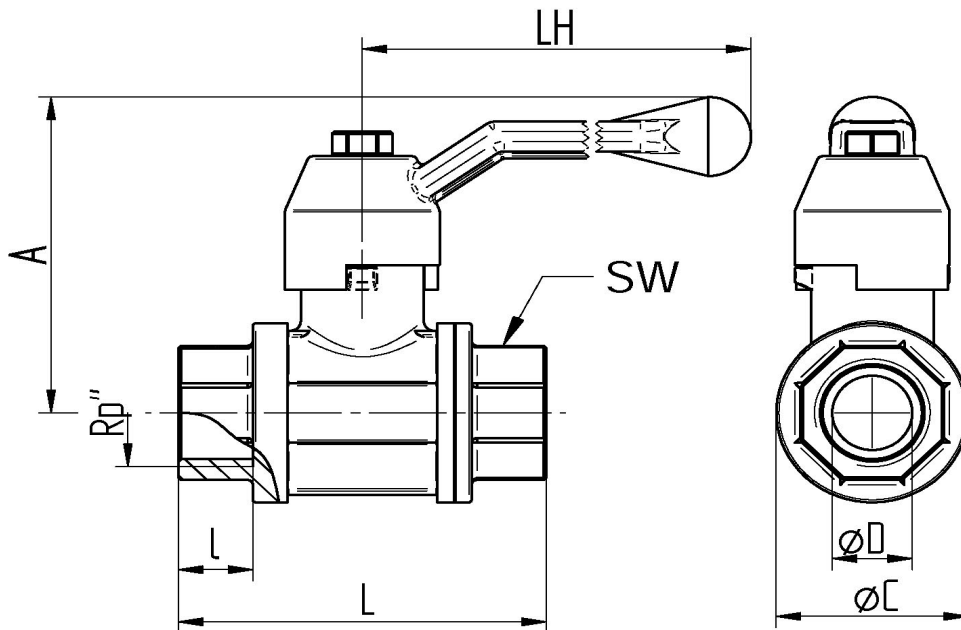
drinking water PN10

vacuum-tight: 0,01 mbar
 body material : Hot pressed brass, nickel plated-CW 617 N
 ball : Hot pressed brass, chromed-CW 617 N
 with self-cleaning system
 ball seals : PTFE
 stem : Hot pressed brass-CW 617 N
 stem seals : PTFE
 handle: aluminium, green painted



Licensing: DIN-DVGW-permissance for drinking water according to DIN EN 13828 and W570

Connecting thread female/female



Art.Nr.	Rp"	øD mm	L mm	l mm	A mm	LH mm	øC mm	SW mm	PN bar	KVS cbm/h	weight (g)
852-03	3/8"	10	55	12	61	100	29	22	63	8	240
852-04	1/2"	15	69	14	64	100	36	27	63	15	364
852-05	3/4"	20	77	16	76	120	45	33	63	28	615
852-06	1"	25	89	19	80	120	54	40	63	39	875
852-07	1 1/4"	32	103	22	98	150	65	50	63	84	1520
852-08	1 1/2"	40	114	22	104	150	79	55	63	156	2215
852-09	2"	50	134	26	119	175	96	69	40	243	3613