

## Brass

### TECHNICAL DATA

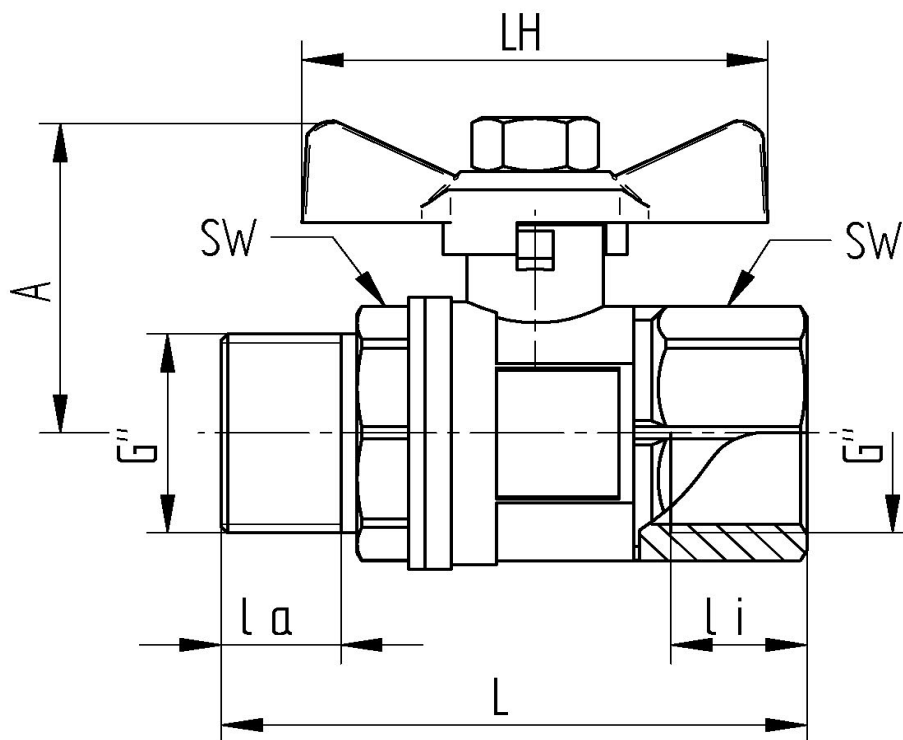
temperature range :	-20°C up to +150°C, pressure-dependent
temperature water :	0°C up to +65°C, pressure-dependent
pressure range :	max. PN 40 bar, drinking water PN10
connecting thread :	according to DIN ISO 228/1 - <b>long thread</b>
body material :	CW617N, Pb2, chrome plated
ball :	CW617N, Pb2, chromed plated, with bore for wash-up
ball seals :	TFM 1600
stem :	CW617N, Pb2, chrome plated
stem seals :	TFM 1600/ O-Ring EPDM 70 55985
butterfly lever:	aluminium, green painted



**Licensing:** according to DIN-DVGW W570 for drinking water EN 13828



### Connecting thread female/male



Art. Nr.	G"	DN	L mm	li mm	la mm	A mm	LH mm	SW mm	PN	weight (g)
7531-04	1/2"	15	68	18	16	42	56	26	40	200
7531-05	3/4"	20	74	19	17	45	56	32	32	285
7531-06	1"	25	91	24	21	58	72	40	32	540
7531-07	1 1/4"	32	107	26	23	68	78	50	25	905