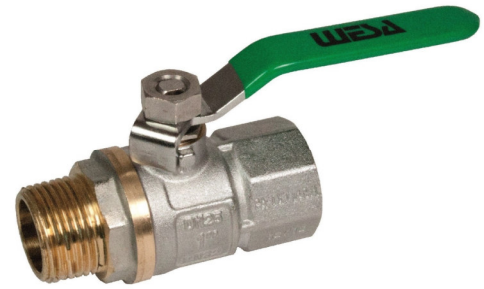


## Brass

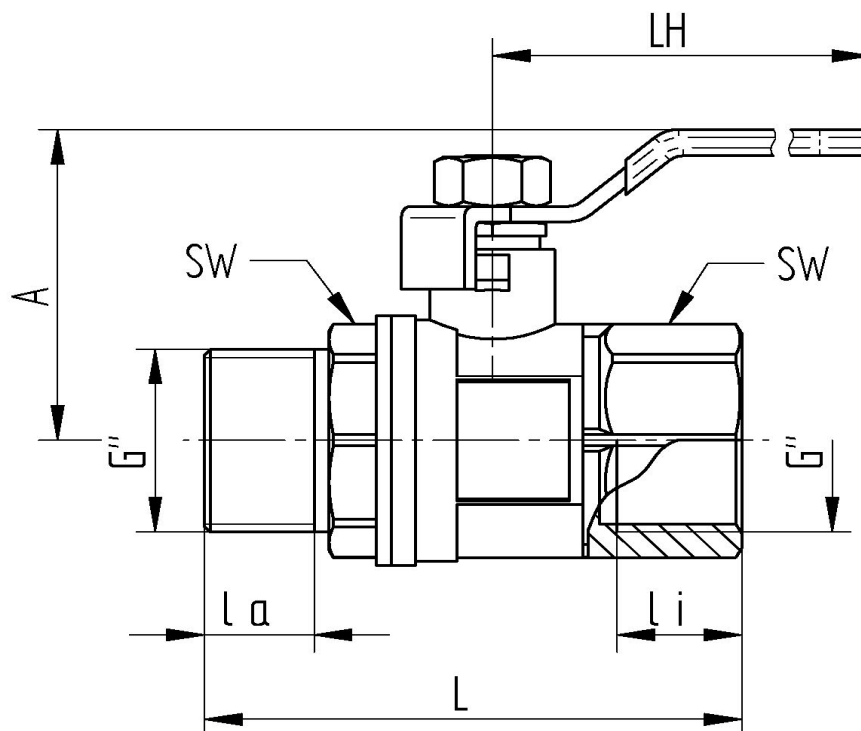
### TECHNICAL DATA

temperature range :	-20°C up to +150°C, pressure-dependent
temperature water :	0°C up to +65°C, pressure-dependent
pressure range :	max. PN 40 bar, drinking water PN10
connecting thread :	according to DIN ISO 228/1 - <b>long thread</b>
body material :	CW617N, Pb2, chrome plated
ball :	CW617N, Pb2, chromed plated, with bore for wash-up
ball seals :	TFM 1600
stem :	CW617N, Pb2, chrome plated
stem seals :	TFM 1600/ O-Ring EPDM 70 55985
hand lever:	steel, green plastic coated



**Licensing:** according to DIN-DVGW W570 for drinking water EN 13828

### Connecting thread female/male



Art. Nr.	G"	DN	L mm	l i mm	l a mm	A mm	LH mm	SW mm	PN	weight (g)
7501-04	1/2"	15	68	18	16	42	87	26	40	225
7501-05	3/4"	20	74	19	17	45	87	32	32	310
7501-06	1"	25	91	24	21	58	100	40	32	560
7501-07	1 1/4"	32	107	26	23	68	130	50	25	960
7501-08	1 1/2"	40	116	25	23	73	130	55	20	1205
7501-09	2"	50	138	29	27	94	154	68	16	2030