

Brass

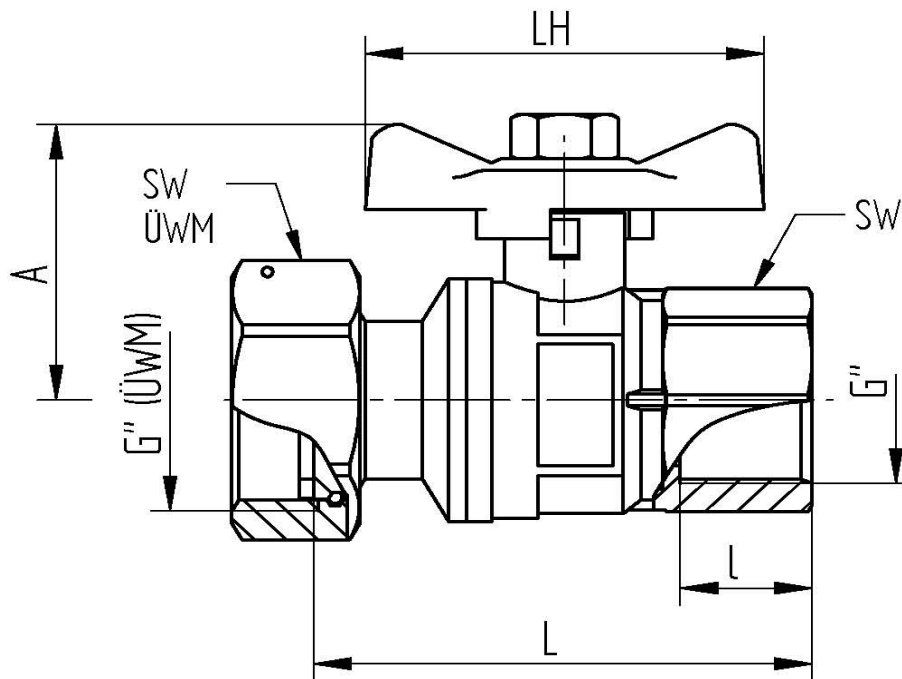
TECHNICAL DATA

temperature range :	-20°C up to +150°C, pressure-dependent drinking water 0°C bis 65°C, pressure-dependent
pressure range :	max. PN 40 bar drinking water PN10
connecting thread :	according to DIN ISO 228/1
body material :	CW617N, Pb2, chrome plated
ball :	CW617N, Pb2, chromed plated, with bore for wash-up
ball seals :	PTFE TFM 1600
stem :	CW617N, Pb2, chrome plated
stem seals :	PTFE TFM 1600/ O-Ring EPDM 70 55985
screwcap :	CW617N, Pb2, chrome plated
butterfly handle:	aluminium, green painted



Licensing: according to DIN-DVGW W570 for drinking water EN 13828

Connecting thread female / screwcap



Art. Nr.	G"	G"(ÜWM)	DN	L mm	l mm	A mm	LH mm	SW mm	SW ÜWM mm	PN bar	weight (g)
755-44	1/2"	1/2"	15R	62	18	39	56	26	26	40	219
755-45	1/2"	3/4"	15	62	18	39	56	26	32	40	248
755-55	3/4"	3/4"	20R	68	18,5	42	56	32	32	32	318
755-56	3/4"	1"	20	70	18,5	42	56	32	38	32	344
755-66	1"	1"	25R	82	24	53	72	40	38	32	535