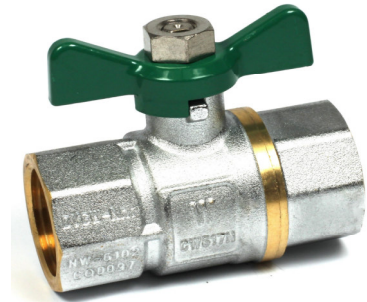


Brass

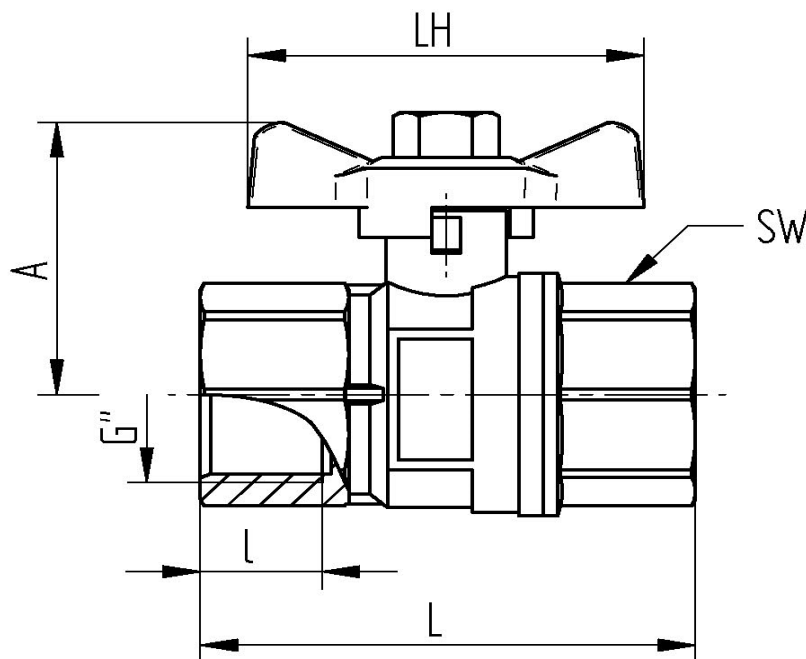
TECHNICAL DATA

temperature range :	-20°C up to +150°C, pressure-dependent drinking water 0°C bis 65°C, pressure-dependent
pressure range :	max. PN 40 bar, drinking water PN10
connecting thread :	according to DIN ISO 228/1 - long thread
body material :	CW617N, Pb2, chrome plated
ball :	CW617N, Pb2, chromed plated, with bore for wash-up
ball seals :	PTFE TFM 1600
stem :	CW617N, Pb2, chrome plated
stem seals :	PTFE TFM 1600/ O-Ring EPDM 70 55985
butterfly handle:	aluminium, green painted



Licensing: according to DIN-DVGW W570 for drinking water EN 13828

Connecting thread female/female



Art. Nr.	G"	DN	ød mm	L mm	l mm	A mm	LH mm	SW mm	PN	weight (g)
753-03	3/8"	10	10	50	14	33	56	20	40	125
753-04	1/2"	15	14	61	18	38,5	56	26	40	200
753-05	3/4"	20	19	70	18,5	42	56	32	32	285
753-06	1"	25	24	84	24	52,5	72	40	32	550
753-07	1 1/4"	32	32	100	25,5	62,5	78	50	25	860
753-08	1 1/2"	40	38	107,5	25	68,7	78	55	25	1185