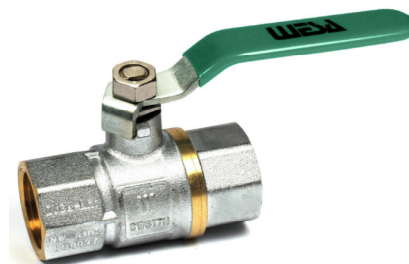


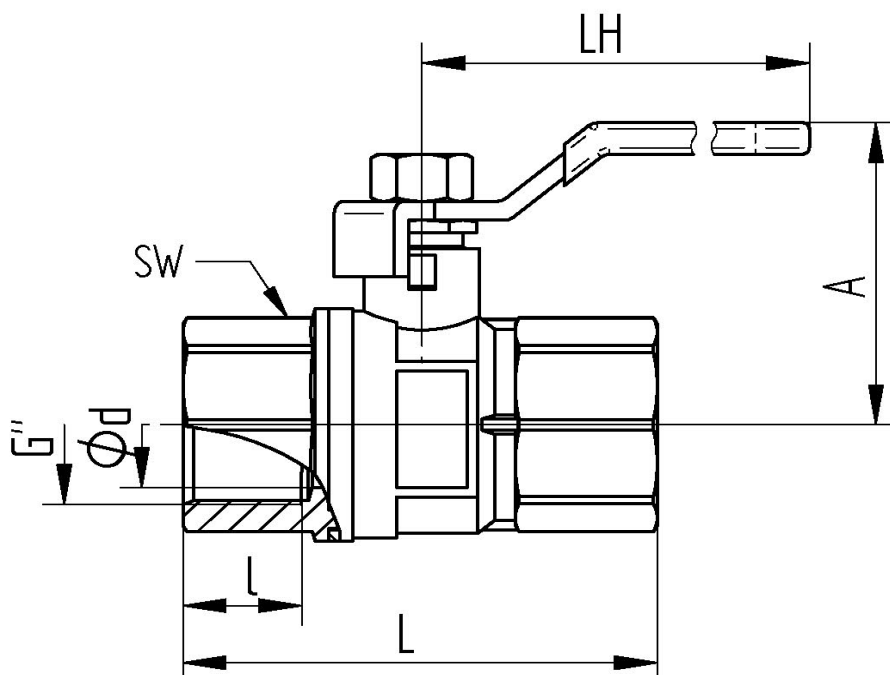
## Brass

### TECHNICAL DATA

temperature range :	-20°C up to +150°C, drinking water 0°C bis 65°C, pressure-dependent
pressure range :	max. PN 40 bar, drinking water PN10
connecting thread :	according to DIN ISO 228/1 - long thread
body material :	CW617N, Pb2, chrome plated
ball :	CW617N, Pb2, chromed plated, with bore for wash-up
ball seals :	PTFE TFM 1600
stem :	CW617N, Pb2, chrome plated
stem seals :	PTFE TFM 1600/ O-Ring EPDM 70 55985
hand lever:	steel, green plastic coated
<b>Licensing:</b>	according to DIN-DVGW W570 for drinking water EN 13828



### Connecting thread female/female



Art. Nr.	G"	DN	ød mm	L mm	l mm	A mm	LH mm	SW mm	PN	weight (g)
750-03	3/8"	10	10	50	14	38,5	73	20	40	125
750-04	1/2"	15	14	61	18	41,5	91	26	40	200
750-05	3/4"	20	19	70	18,5	45	91	32	32	285
750-06	1"	25	24	84	24	57	100	40	32	495
750-07	1 1/4"	32	32	100	25,5	67,5	130	50	25	860
750-08	1 1/2"	40	38	107,5	25	73	130	55	25	1185
750-09	2"	50	50	130	29	93,5	154	68	25	2000