

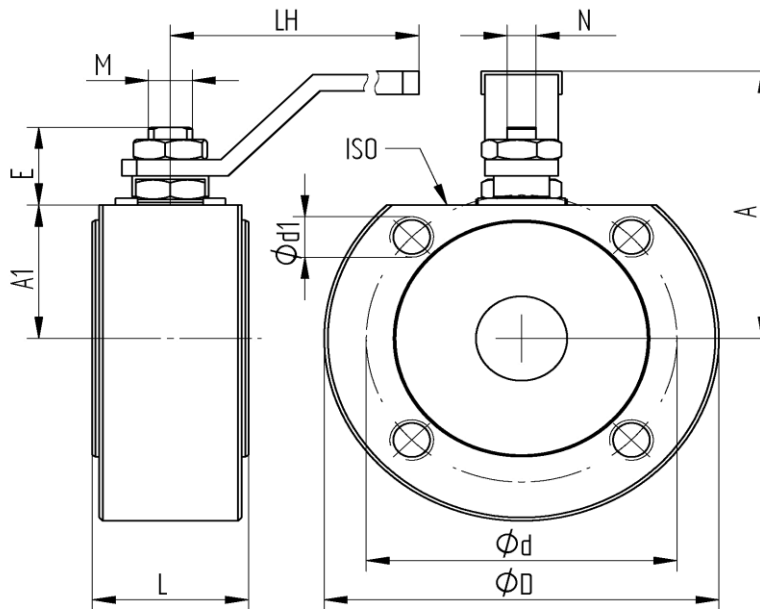
Stainless steel

- Operating temperature : - 20° C to +60 ° C pressure dependent
 Nominal gas pressure : MOP5 / max.16 bar
 Flange connection : according to DIN 2501/1, UNI-EN 1092-1
 Actuator connection : according to DIN EN ISO 5211
 Body material : stainless steel 1.4408
 Screw-in ring: stainless steel 1.4408
 Ball : Stainless steel 1.4401
 Ball seals : PTFE
 Stem : Stainless steel 1.4401 blow-out proof
 Stem seals : 3-fold PTFE+FKM O-ring
 Hand lever: Stainless steel, plastic sleeve yellow
Approval:
 TA-Luft acc.to DIN EN ISO 15848-1
 FIRESAFE acc.to DIN EN ISO 10497
 DIN DVGW GAS acc.to DIN EN 331
 Antistatic
 SIL acc.to IEC61508|61518
 EAC acc.to TR CU 010/2011



- Option:** ATEX acc.to 2014/34/EU

Flangeconnection



Art. Nr.	DN	L mm	A mm	A1 mm	LH mm	øD mm	ød mm	ød1	E mm	øM	N mm	øISO	PN bar	Gewicht (g)
934-04	15	35	65	31	140	90	65	4xM12	17	M10	6	F 03	40	1345
934-05	20	38	70	34	140	100	75	4xM12	17	M10	6	F 03	40	1810
934-06	25	43	82	39,5	180	110	85	4xM12	23	M12	8	F 04	40	2505
934-07	32	54	85	46	180	130	100	4xM16	21	M12	8	F 04	40	3995
934-08	40	60	102	50	230	150	110	4xM16	30	M16	10	F 05	16	4190
934-09	50	70	110	57	230	165	125	4xM16	30	M16	10	F 05	16	5790
934-10	65	95	137,5	80	333	185	145	4xM16	39,5	M22	14	F 07	16	10200
934-11	80	122	150	90	333	200	160	8xM16	39,5	M22	14	F 07	16	13700
934-12	100	140	165	101	370	220	180	8xM16	47,5	M27	16	F 10	16	20000