

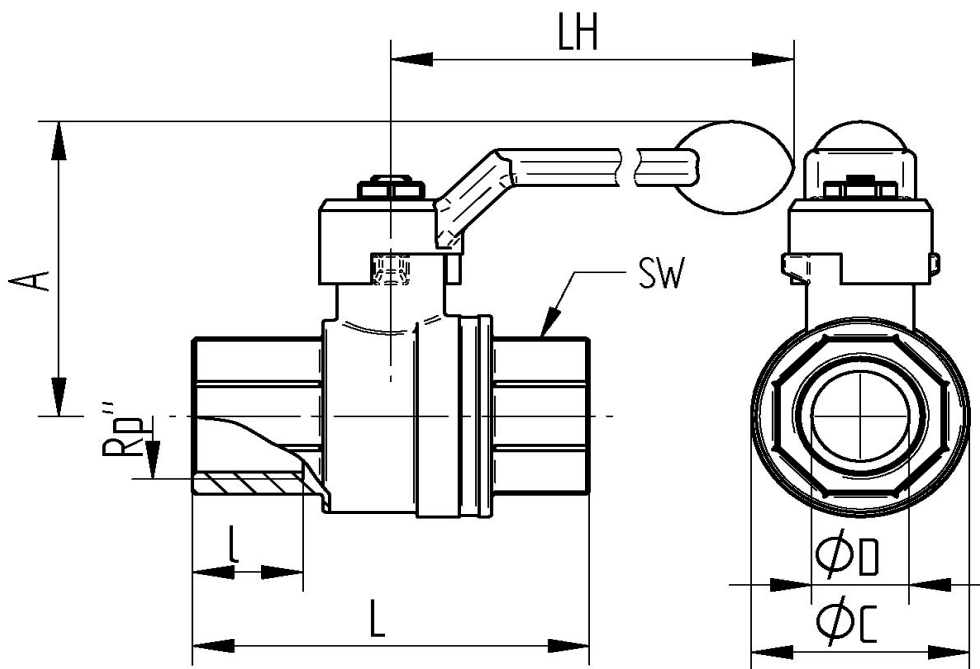
Brass

TECHNICAL DATA

temperature range liquids:	- 15°C up to max. + 120°C, pressure-dependent
temperature range gas :	- 15°C up to max. + 60°C, pressure-dependent
pressure range liquids:	max. PN 63 bar
pressure range gas:	MOP 5
	compressed air max. 20 bar
connecting thread	DIN 2999 - ISO 7/1 Rp
body material :	CW 617 N
ball :	CW 617 N
ball seals :	PTFE
stem:	CW 617N - EN 12164, blow-out safe
stem seals :	PTFE / NBR
handle:	aluminium, yellow painted
Approval:	DIN-DVGW-gas, acc.to DIN EN 331



Connecting thread female/female



Art.Nr.	Rp"	øD	L mm	l mm	A mm	LH mm	øC mm	SW mm	PN bar	weight (gr)
860-02	1/4"	10	46	12	42	85	24	21	5/63	137
860-03	3/8"	10	50	12	42	85	24	21	5/63	124
860-04	1/2"	15	61	15	49	85	32	25	5/63	205
860-05	3/4"	20	70	16	58	105	40	32	5/63	342
860-06	1"	25	84	19	62	105	48	40	5/63	578
860-07	1 1/4"	32	96	21	75	130	58	47	5/50	778
860-08	1 1/2"	40	107	22	80	130	70	54	5/50	1133
860-09	2"	50	128	26	98	165	86	66	5/40	1925