

Hot pressed brass

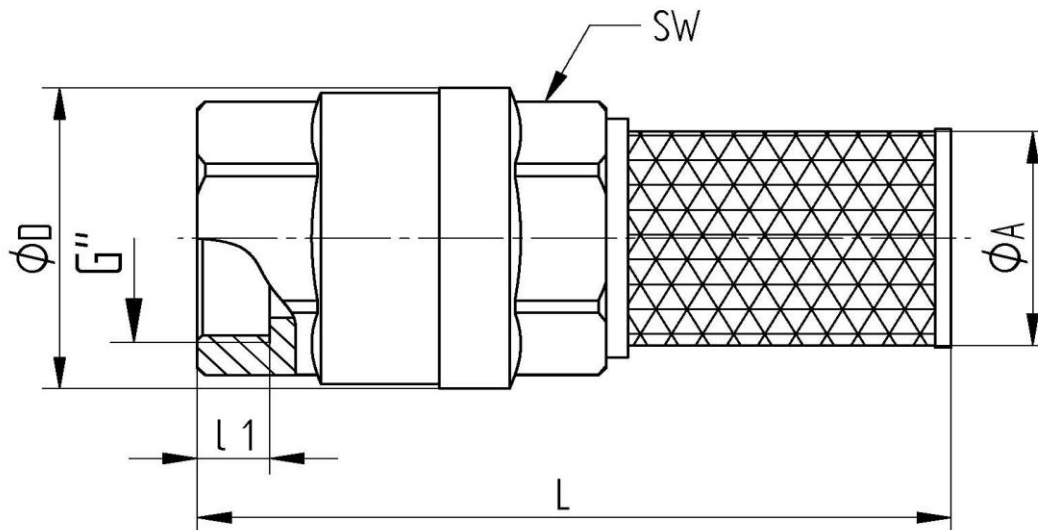
TECHNICAL DATA

temperature range :	- 20°C up to max. +100°C, pressure depending
pressure range :	up to max. PN 40 bar, depending of nominal size
Cracking pressure:	min. 0,025 bar (25 cm water column)
Sealing pressure:	min. 0,05 bar (50 cm water column)
body material :	hot-pressed brass - CW617 N - UNI EN 12165
connecting thread :	according to DIN ISO 228/1
sealing:	FKM (Viton)
valve cone:	Polymer resin
spring:	stainless steel AISI 302
filter:	stainless steel AISI 302



For horizontal and vertical instalation

Connecting thread female/female



Art. Nr.	G"	DN	L mm	l mm	øD mm	SW mm	PN bar	Gewicht (g)
1430-03	3/8"	10	84	9	28	21	40	101
1430-04	1/2"	15	92	10	34	26	40	157
1430-05	3/4"	20	107	11	42	32	30	237
1430-06	1"	25	119	13	50	39	30	365
1430-07	1 1/4"	32	133	14	41	49	25	579
1430-08	1 1/2"	40	157	16	74	56	25	943
1430-09	2"	50	179	18	89	69	25	1459
1430-10	2 1/2"	65	211	20	114	86	16	2612
1430-11	3"	80	246	22	137	100	16	4535