

Hot pressed brass

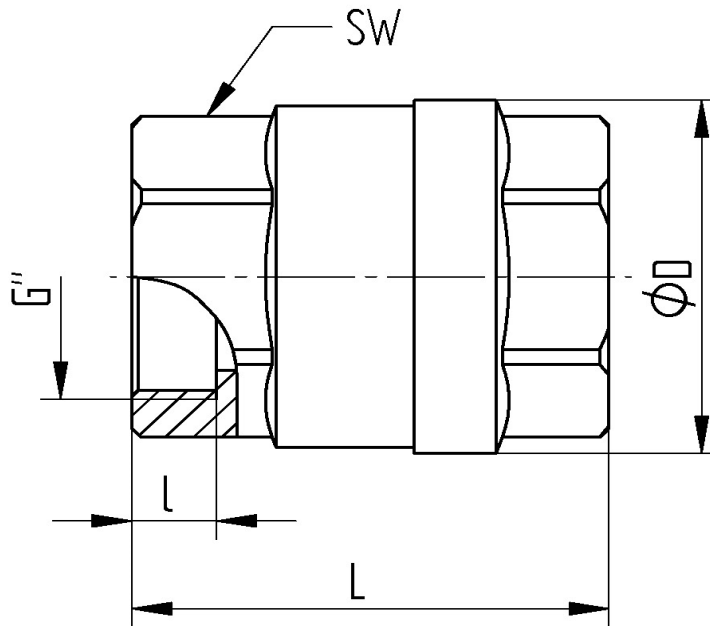
TECHNICAL DATA

temperature range :	- 20°C up to max. +130°C, pressure depending
pressure range :	up to max. PN 40 bar, depending of nominal size
Cracking pressure:	min. 0,025 bar (25 cm water column)
Sealing pressure:	min. 0,05 bar (50 cm water column)
body material :	hot-pressed brass - CW617 N - UNI EN 12165
connecting thread :	according to DIN ISO 228/1
sealing:	FKM (Viton)
valve cone:	POM
spring:	stainless steel AISI 302



For horizontal and vertical instalation

Connecting thread female/female



Art. Nr.	G"	DN	L mm	l mm	øD mm	SW mm	PN bar	Gewicht (g)
1440-02	1/4"	8	46	10	28	21	40	97
1440-03	3/8"	10	46	9	28	21	40	97
1440-04	1/2"	15	50	10	34	26	40	83
1440-05	3/4"	20	59	11	42	32	30	147
1440-06	1"	25	67	13	50	39	30	218
1440-07	1 1/4"	32	76	14	41	49	25	340
1440-08	1 1/2"	40	90	16	74	56	25	551
1440-09	2"	50	101	18	89	69	25	913
1440-10	2 1/2"	65	127	20	114	86	16	1414
1440-11	3"	80	150	22	137	100	16	2591