

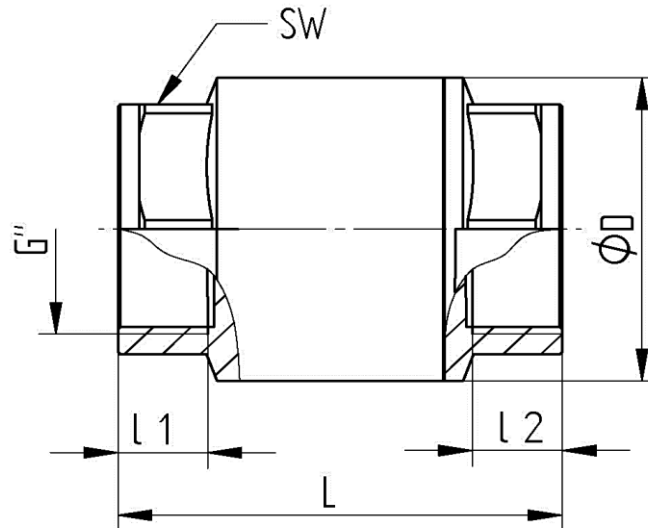
## Brass

### TECHNICAL DATA

|                         |   |
|-------------------------|---|
| Version:                | Universal non-return valve                  |
| Mounting position :     | Horizontal   vertical                       |
| Connection end :        | Female thread according to DIN EN ISO 228-1 |
| Housing material :      | Brass CW617N                                |
| Valve disc :            | Stainless steel 1.4301                      |
| Pin :                   | Brass CW617N                                |
| Spring :                | Stainless steel 1.4301                      |
| Seal :                  | EPDM  |
| Operating temperature : | -20°C up to max. +150°C pressure-dependent  |
| Operating pressure :    | Max. PN25 bar temperature-dependent         |
| Opening pressure        | 0.03-0.05 bar                               |



### Connecting thread female/female



| Art. Nr. | G"     | øDN  | L mm  | l 1 mm | l 2 mm | øD mm | SW mm | PN(bar) | Weight (g) |
|----------|--------|------|-------|--------|--------|-------|-------|---------|------------|
| 1422-03  | 3/8"   | 15   | 54    | 11     | 14,5   | 34,5  | 21    | 25      | 170        |
| 1422-04  | 1/2"   | 16.4 | 57    | 12     | 14     | 34,5  | 25    | 25      | 180        |
| 1422-05  | 3/4"   | 22   | 60    | 14,5   | 14,5   | 42    | 31    | 25      | 260        |
| 1422-06  | 1"     | 25   | 73    | 17,5   | 17,5   | 48    | 40    | 25      | 425        |
| 1422-07  | 1 1/4" | 32   | 83    | 16,5   | 18,5   | 60,5  | 50    | 16      | 650        |
| 1422-08  | 1 1/2" | 39.5 | 93    | 18,5   | 19     | 70,8  | 55    | 16      | 875        |
| 1422-09  | 2"     | 50   | 100   | 21     | 21     | 87    | 67    | 16      | 1320       |
| 1422-10  | 2 1/2" | 67   | 120   | 23     | 23     | 118.5 | 88    | 10      | 2645       |
| 1422-11  | 3"     | 79   | 138,5 | 29     | 29     | 140   | 100   | 10      | 4200       |