

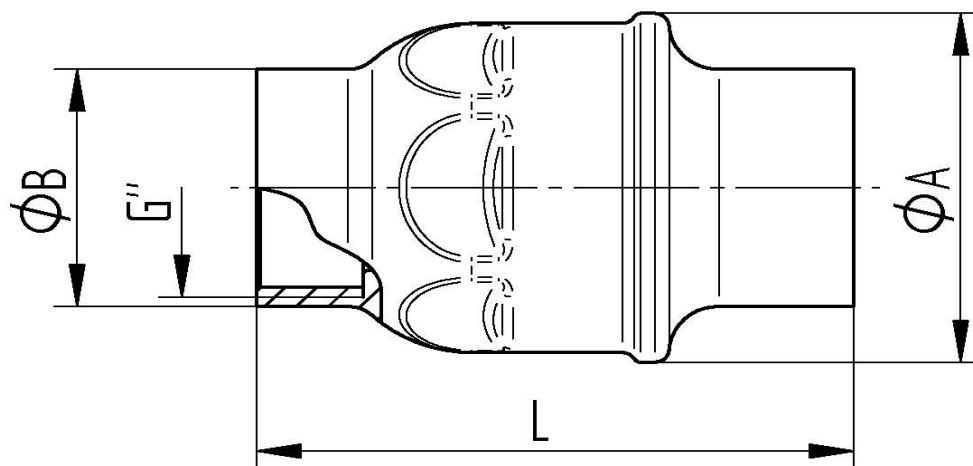
Stainless steel

TECHNICAL DATA

Temperature range :	-20°C up to max. +150°C, pressure dependent
Pressure range :	max. PN 16 bar
Opening pressure:	min. 0,025 - max. 0,035 bar
Connecting thread :	according to DIN ISO 228/1
Body material :	stainless steel - 1.4301 stainless steel - 1.4401 (3" + 4")
Flow control disc:	stainless steel - 1.4301
Spring:	stainless steel - 1.4301 stainless steel - 1.4401 (3" + 4")
Guide bush:	PTFE
Seal ring :	FPM/FKM



Connecting thread female/female



Art. Nr.	G	DN	L mm	øA mm	øB mm	weight (g)	KV m ³ /h
9130-02	1/4"	08	56	32	20	94	2,5
9130-03	3/8"	10	56	32	20	91	3,2
9130-04	1/2"	15	56	32	25	93	6,0
9130-05	3/4"	20	70	44	29	129	10,8
9130-06	1"	25	84	53	36	191	18,7
9130-07	1 1/4"	32	99	62	45	281	31,5
9130-08	1 1/2"	40	119	78	51	388	40,5
9130-09	2"	50	123	89	64	704	56
9130-10	2 1/2"	65	147	113	80	1425	69
9130-11	3"	80	166	132	93	2085	99
9130-12	4"	100	193	167	120	3415	181