

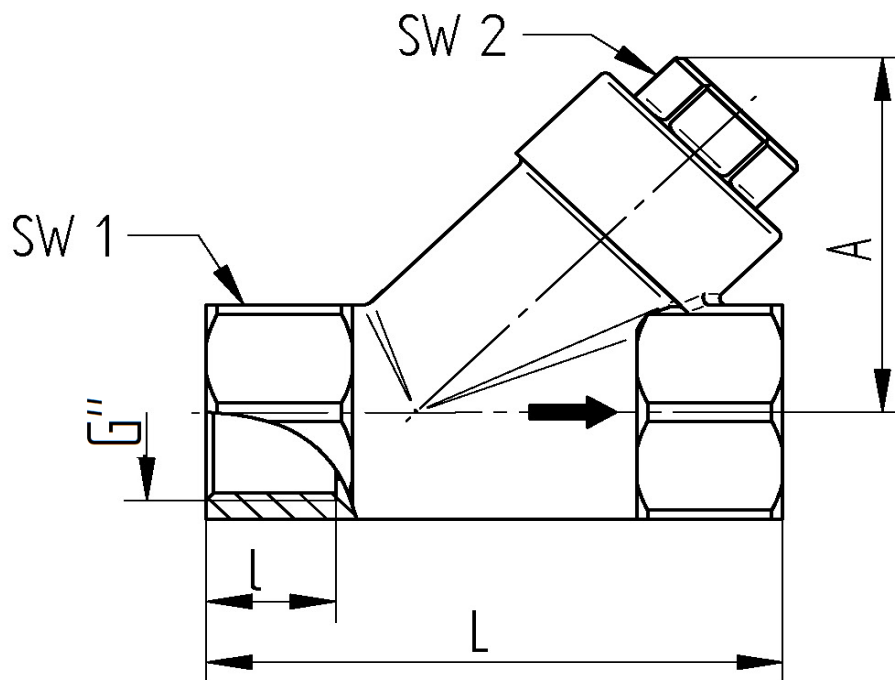
Stainless steel

### TECHNICAL DATA

Operating temperature:	-20°C up to max. +180°C, pressure dependent
Operating pressure:	max. 40 Bar
Opening pressure:	0,02 bar (1/4" - 3/4") 0,05 bar (1" - 3")
Body material:	Stainless 1.4408
Connection thread:	Femal long thread acc.to DIN EN ISO 228-1
Cover sealing:	PTFE
Valve plate sealing:	PTFE



Connecting thread female/female



Art. Nr.	Rp"	L	l	A	SW1	SW2	PN bar	weight (g)
9180-04	1/2"	65	12	43	26	21	40	255
9180-05	3/4"	80	15	52	32	21	40	410
9180-06	1"	90	15	67	41	29	40	773
9180-07	1 1/4"	105	18	68	49	27	40	933
9180-08	1 1/2"	120	21,5	77	56	30	40	1429
9180-09	2"	140	22,5	93	69	41	40	2245