

STAINLESS STEEL

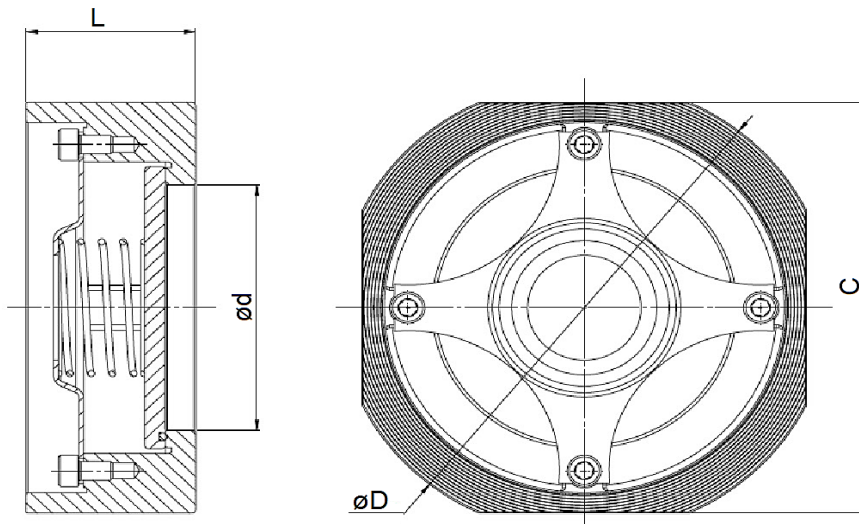
Technical Data

Body material:	Stainless steel 1.4408
Spring:	Stainless steel 1.4571
Disc:	Stainless steel 1.4408
Working pressure:	max. PN 40 bar
Flange connection:	DIN EN 1092-1 B1, PN10-PN40
Face to face dimension:	DIN EN 558, Row 49



DN15 - DN100

Art. Nr.	Sealing	Operating temperature
9030	metal	-20°C up to max. +300°C
9031	EPDM	-20°C up to max.+150°C
9032	NBR	-20°C up to max.+100°C
9033	FKM	-15°C up to max.+200°C
9034	PTFE	-20°C up to max.+250°C



Art. Nr.	DN	ød mm	L mm	øD mm	C mm	weight	Kv-Wert	Opening pressure [mbar]			no spring
								←→	↑	↓	
903x-04	15	15	16	53	45	0,10 kg	2 m3/h	~ 47	~ 51	~ 44	~ 4
903x-05	20	20	19	63	55	0,16 kg	7 m3/h	~ 44	~ 48	~ 39	~ 4
903x-06	25	25	22	73	65	0,28 kg	13 m3/h	~ 57	~ 61	~ 53	~ 4
903x-07	32	30	28	84	79	0,52 kg	17 m3/h	~ 47	~ 52	~ 41	~ 5
903x-08	40	38	32	94	89	0,70 kg	23 m3/h	~ 38	~ 43	~ 32	~ 5
903x-09	50	47	40	107	99	1,10 kg	48 m3/h	~ 45	~ 52	~ 38	~ 7
903x-10	65	62	46	126	119	1,58 kg	55 m3/h	~ 50	~ 55	~ 44	~ 5
903x-11	80	77	50	145	135	1,78 kg	83 m3/h	~ 31	~ 39	~ 23	~ 7
903x-12	100	96	60	164	155	3,30 kg	127 m3/h	~ 55	~ 65	~ 45	~ 10

STAINLESS STEEL

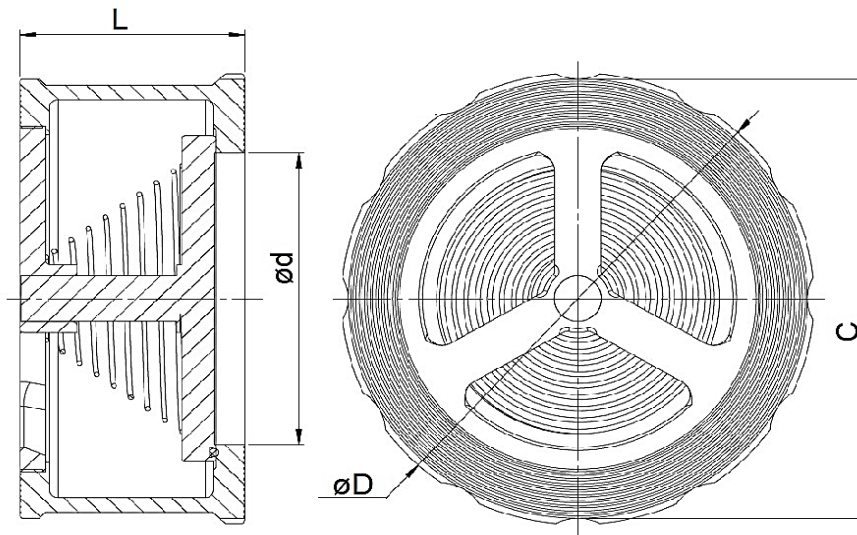
Technical Data

Body material:	Stainless steel 1.4408
Spring:	Stainless steel 1.4571
Disc:	Stainless steel 1.4408
Working pressure:	max. PN 40 bar
Flange connection:	DIN EN 1092-1 B1, PN10-PN40
Face to face dimension:	DIN EN 558, Row 49



DN125 - DN200

Art. Nr.	Sealing	Operating temperature
9030	metal	-196°C up to max. +400°C
9031	EPDM	-65°C up to max.+150°C
9032	NBR	-30°C up to max.+100°C
9033	FKM	-30°C up to max.+230°C
9034	PTFE	-200°C up to max.+250°C



Art. Nr.	DN	ød mm	L mm	øD mm	C mm	weight	Kv-Wert	Opening pressure [mbar]			no spring
								↔	↑	↓	
903x-13	125	118,5	90	194	194	8,40 kg	201 m ³ /h	~ 30	~ 46	~ 14	~ 16
903x-14	150	141	106	220	220	12,40kg	286 m ³ /h	~ 30	~ 47	~ 13	~ 17
903x-15	200	190	140	294	286	23,90 kg	553m ³ /h	~ 30	~ 51	~ 9	~ 21