

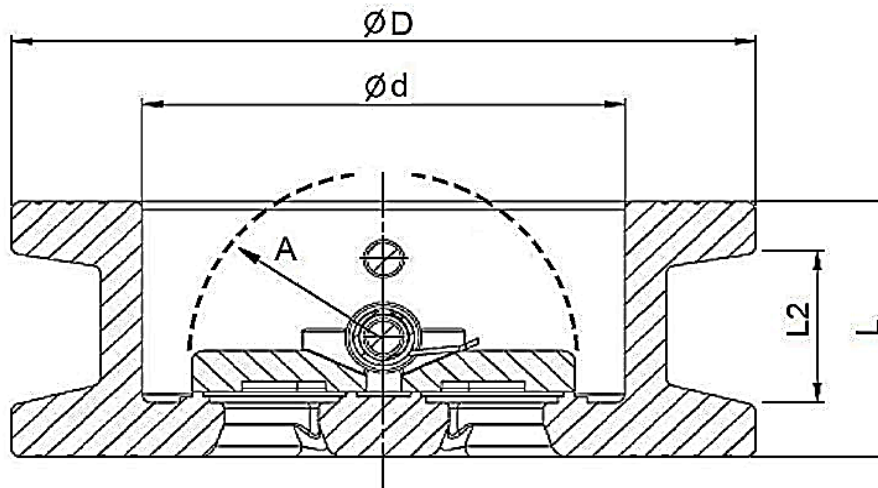
## STAINLESS STEEL-DUAL PLATE

### Technical Data

pressure range:	max. PN 16 bar
temperature range:	-10°C up to max. 120°C
body material :	Stainless steel 1.4408
blade:	Stainless steel 1.4408
Stem:	Stainless steel 1.4401
Spring:	Stainless steel 1.4571
Seals:	EPDM
Face to face:	according to DIN EN558 row 16



To be mounted between two flanges according to EN1092-1 Typ11 form B-PN10/PN16



Art. Nr.	DN	L mm	øD mm	ød mm	L2 mm	A mm	PN bar	weight (g)
9020-09	50	43	107	70,5	19	28,8	16	1,6
9020-10	65	46	127	80	20	36,1	16	2,4
9020-11	80	64	142	94	28	43,4	16	3,6
9020-12	100	64	162	117	27	52,8	16	4,6
9020-13	125	70	192	145	30	65,7	16	7,0
9020-14	150	76	218	170	31	78,5	16	9,2
9020-15	200	89	273	221	33	104,4	16	16,0
9020-16	250	114	328	275,5	50	127	16	26,0
9020-17	300	114	383	325,5	43	148,3	16	33,5