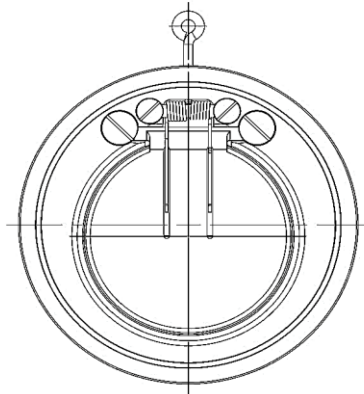
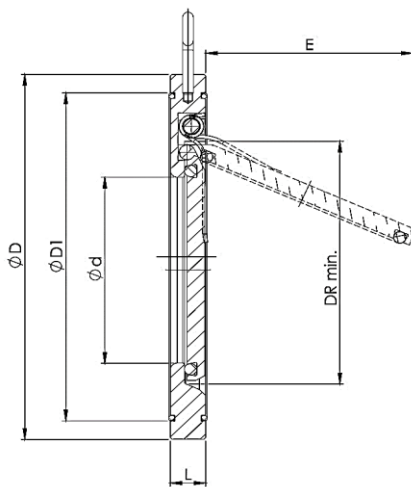


STAINLESS STEEL WITH SPRING

Technical data

| | | | |
|---------------------|---|-------------|---|
| Design: | Wafer design | ITEM | FLANGE DISC SEAL TEMPERATURE |
| Body: | Stainless steel 1.4408 | 9014 | EPDM -65°C bis +150°C |
| Disc: | Stainless steel 1.4408 | 9015 | FPM -30°C bis +230°C |
| Spring: | Stainless steel 1.4571 | 9016 | PTFE -200°C bis +250°C |
| Disc seal: | [O-Ring] - See the table | 9017 | NBR -30°C bis +100°C |
| Flange connection: | Acc.to UNI EN 1092-1 Form B1 | | |
| Flange seal: | See the table | | |
| Medium temperature: | Sealing dependent [see the table] | | |
| Pressure rating: | Max. 16 bar temperature dependent | | |
| Tightness: | A minimum back pressure of 0,3 bar is required to keep the swing check valves tight. | | |



| Item Number | DN | ød mm | L mm | øD mm | øD1 mm | DR mm | E mm | PN bar | CVS-Value | Opening pressure [mbar] | | Weight |
|------------------------|-----|-------|------|-------|--------|-------|------|--------|--------------|-------------------------|-----|----------|
| | | | | | | | | | | ↔ | ↕ | |
| 9014_9015_9016_9017-07 | 32 | 18 | 15 | 85 | 59 | 37 | 22 | 16 | 16,2 m3/h | ~15 | ~25 | 0,67 kg |
| 9014_9015_9016_9017-08 | 40 | 22 | 16 | 95 | 72 | 43 | 25 | 16 | 22,2 m3/h | ~15 | ~25 | 0,85 kg |
| 9014_9015_9016_9017-09 | 50 | 32 | 14 | 109 | 86 | 54 | 37 | 16 | 54,0 m3/h | ~15 | ~25 | 0,91 kg |
| 9014_9015_9016_9017-10 | 65 | 40 | 14 | 129 | 109 | 70 | 50 | 16 | 75,0 m3/h | ~15 | ~25 | 1,24 kg |
| 9014_9015_9016_9017-11 | 80 | 54 | 14 | 144 | 119 | 82 | 61 | 16 | 112,0 m3/h | ~15 | ~25 | 1,51 kg |
| 9014_9015_9016_9017-12 | 100 | 70 | 18 | 164 | 146 | 106 | 77 | 16 | 172,0 m3/h | ~15 | ~25 | 2,44 kg |
| 9014_9015_9016_9017-13 | 125 | 92 | 18 | 195 | 173 | 131 | 98 | 16 | 342,0 m3/h | ~15 | ~25 | 3,36 kg |
| 9014_9015_9016_9017-14 | 150 | 112 | 20 | 220 | 197 | 159 | 120 | 16 | 490,0 m3/h | ~15 | ~25 | 4,71 kg |
| 9014_9015_9016_9017-15 | 200 | 154 | 22 | 275 | 255 | 207 | 160 | 16 | 1.128,0 m3/h | ~17 | ~25 | 7,73 kg |
| 9014_9015_9016_9017-16 | 250 | 192 | 26 | 331 | 312 | 260 | 190 | 16 | 1.500,0 m3/h | ~17 | ~25 | 13,30 kg |
| 9014_9015_9016_9017-17 | 300 | 227 | 32 | 386 | 363 | 309 | 220 | 16 | 2.290,0 m3/h | ~17 | ~25 | 21,00 kg |
| 9014_9015_9016_9017-18 | 350 | 266 | 38 | 446 | 416 | 341 | 250 | 16 | 2.890,0 m3/h | ~18 | ~25 | 33,00 kg |
| 9014_9015_9016_9017-19 | 400 | 310 | 44 | 499 | 467 | 392 | 290 | 16 | 3.700,0 m3/h | ~18 | ~28 | 46,30 kg |

TECHNICAL DATA

SWING CHECK VALVE WAFER TYPE

Pressure-Loss Diagram

The diagram values are valid for water at a temperature of 20 °C and for valves with face-to-face dimensions in accordance with DIN EN 558, suitable for flanges in accordance with PN 10 - PN 40. At the opening of the valve, the curves apply to operation in horizontal pipelines. For calculations for other fluids or temperatures, please contact us.

