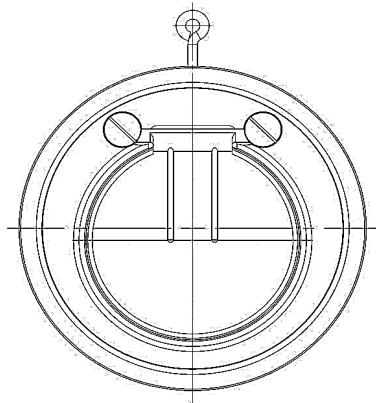
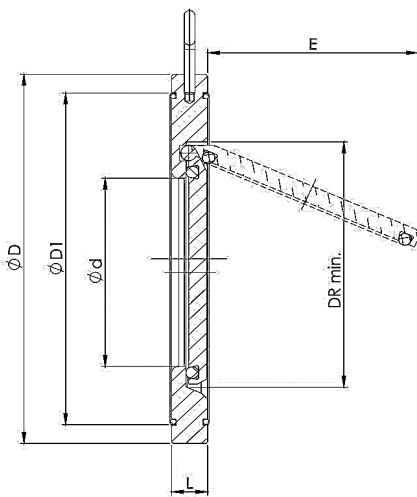


## STAINLESS STEEL WITHOUT SPRING

### Technical data

Design: Wafer design  
 Body: Stainless steel 1.4408  
 Disc: Stainless steel 1.4408  
 Disc seal: [O-Ring] - See the table  
 Flange connection: Acc. to EN 1092-1 Form B1  
 Flange seal: See the table  
 Medium temperature: Sealing dependent [see the table]  
 Pressure rating: Max. 16 bar temperature dependent  
 Tightness: A minimum back pressure of 0,3 bar is required to keep the swing check valves tight.

ITEM	FLANGE	DISC SEAL	TEMPERATURE
9010	EPDM	-65°C up to +150°C	
9011	FPM	-30°C up to +230°C	
9012	PTFE	-200°C up to +250°C	
9013	NBR	-30°C up to +100°C	



Item Number	DN	ød mm	L mm	øD mm	øD1 mm	DR mm	E mm	PN bar	CVS-Wert	Opening pressure mbar		Weight
										↔	↕	
9010_9011_9012_9013-07	32	18	15	85	59	37	22	16	16,2 m3/h	~2	~10	0,67 kg
9010_9011_9012_9013-08	40	22	16	95	72	43	25	16	22,2 m3/h	~2	~10	0,85 kg
9010_9011_9012_9013-09	50	32	14	109	86	54	37	16	54,0 m3/h	~2	~10	0,91 kg
9010_9011_9012_9013-10	65	40	14	129	109	70	50	16	75,0 m3/h	~2	~10	1,24 kg
9010_9011_9012_9013-11	80	54	14	144	119	82	61	16	112,0 m3/h	~2	~10	1,51 kg
9010_9011_9012_9013-12	100	70	18	164	146	106	77	16	172,0 m3/h	~2	~10	2,44 kg
9010_9011_9012_9013-13	125	92	18	195	173	131	98	16	342,0 m3/h	~2	~10	3,36 kg
9010_9011_9012_9013-14	150	112	20	220	197	159	120	16	490,0 m3/h	~2	~10	4,71 kg
9010_9011_9012_9013-15	200	154	22	275	255	207	160	16	1.128,0 m3/h	~4	~14	7,73 kg
9010_9011_9012_9013-16	250	192	26	331	312	260	190	16	1.500,0 m3/h	~4	~14	13,30 kg
9010_9011_9012_9013-17	300	227	32	386	363	309	220	16	2.290,0 m3/h	~4	~14	21,00 kg
9010_9011_9012_9013-18	350	266	38	446	416	341	250	16	2.890,0 m3/h	~6	~18	33,00 kg
9010_9011_9012_9013-19	400	310	44	499	467	392	290	16	3.700,0 m3/h	~6	~18	46,30 kg

## TECHNICAL DATA

### SWING CHECK VALVE WAFER TYPE

#### Pressure-Loss Diagram

The diagram values are valid for water at a temperature of 20 °C and for valves with face-to-face dimensions in accordance with DIN EN 558, suitable for flanges in accordance with PN 10 - PN 40. At the opening of the valve, the curves apply to operation in horizontal pipelines. For calculations for other fluids or temperatures, please contact us.

