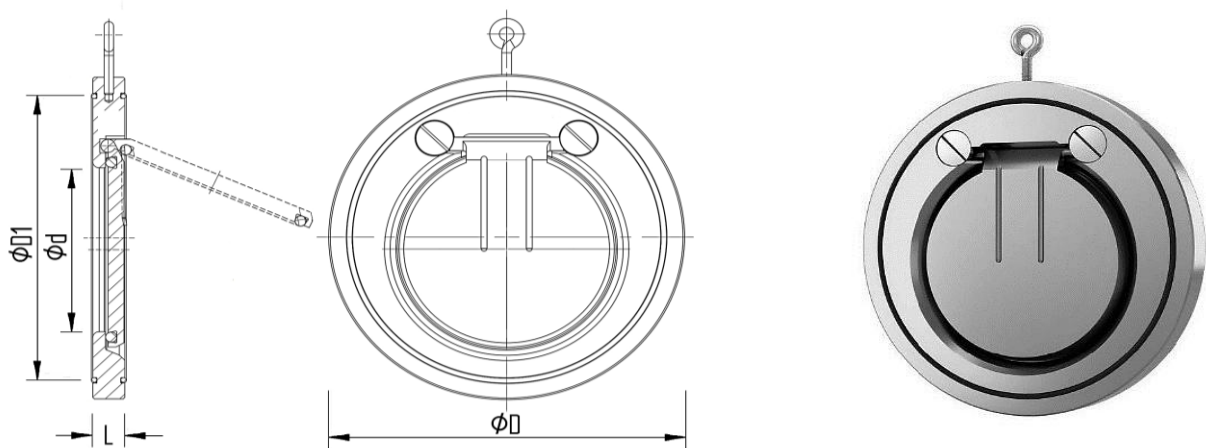


### STAINLESS STEEL WITHOUT SPRING

#### Technical data

|                     |  |             |             |                    |
|---------------------|--|-------------|-------------|--------------------|
| Construction:       | Wafer check valve                        | <b>Item</b> | <b>Seal</b> | <b>Temperature</b> |
| Body:               | Stainless steel 1.4408                   | <b>9010</b> | EPDM        | -25°C up to +150°C |
| Disc:               | Stainless steel 1.4408                   | <b>9011</b> | FKM         | -25°C up to +180°C |
| Seal:               | [O-Ring] - see table                     |             |             |                    |
| Connection:         | Acc.to DIN EN 1092-1 Form B1             |             |             |                    |
| Seal flange:        | See table                                |             |             |                    |
| Medium Temperature: | Depends on pressure and seal – see table |             |             |                    |
| Medium pressure:    | Max. 16 bar Temperature dependent        |             |             |                    |
| Back pressure:      | Min. 03, bar                             |             |             |                    |



| Item No.    | Size | DN  | ød mm | L mm | øD mm | øD1 mm | PN bar | KV-value m³/h | Opening pressure [mbar] |    | Weight kg |
|-------------|------|-----|-------|------|-------|--------|--------|---------------|-------------------------|----|-----------|
|             |      |     |       |      |       |        |        |               | ↔                       | ↕  |           |
| 9010   9011 | -07  | 32  | 20    | 12   | 76    | 59     | 16     | 7,30          | ~0                      | ~6 | 0,42      |
| 9010   9011 | -08  | 40  | 25    | 12   | 85    | 68     | 16     | 11,50         | ~0                      | ~6 | 0,45      |
| 9010   9011 | -09  | 50  | 32    | 14   | 105   | 84     | 16     | 25,50         | ~0                      | ~6 | 0,80      |
| 9010   9011 | -10  | 65  | 40    | 14   | 124   | 96     | 16     | 42,50         | ~0                      | ~6 | 1,10      |
| 9010   9011 | -11  | 80  | 54    | 14   | 136   | 118    | 16     | 68,00         | ~0                      | ~6 | 1,30      |
| 9010   9011 | -12  | 100 | 70    | 18   | 164   | 148    | 16     | 248,00        | ~0                      | ~6 | 2,30      |
| 9010   9011 | -13  | 125 | 92    | 18   | 194   | 166    | 16     | 550,00        | ~0                      | ~6 | 3,20      |
| 9010   9011 | -14  | 150 | 114   | 20   | 220   | 197    | 16     | 729,00        | ~0                      | ~6 | 4,50      |
| 9010   9011 | -15  | 200 | 154   | 22   | 275   | 249    | 16     | 1.045,00      | ~0                      | ~9 | 7,70      |
| 9010   9011 | -16  | 250 | 200   | 26   | 330   | 310    | 16     | 1.907,00      | ~0                      | ~9 | 12,60     |
| 9010   9011 | -17  | 300 | 230   | 30   | 380   | 358    | 16     | 2.720,00      | ~0                      | ~9 | 20,00     |