

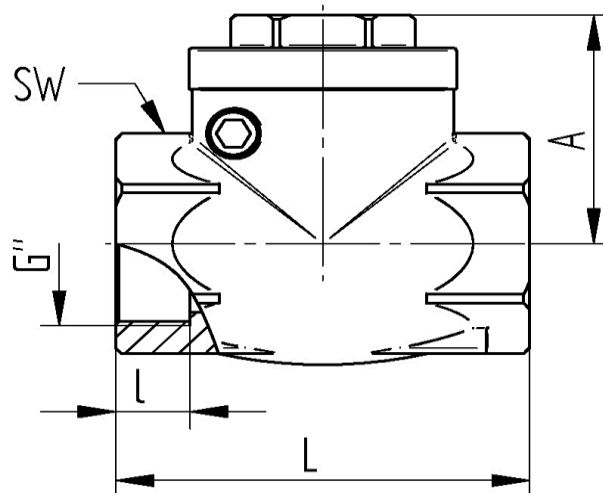
## Stainless steel

### TECHNICAL DATA

Operating temperature:	-15°C up to. + 160°C, pressure dependent
Working pressure:	max. PN 16 bar
Opening pressure:	0,1 bar
Connection thread:	DIN ISO 228/1
Body material:	stainless steel 1.4408
Cap material:	stainless steel 1.4408
Flap material:	stainless steel 1.4408
Cap seal:	PTFE
Sealing:	metal to metal
Test and inspection :	API 598



## Connecting thread female/female



Art. Nr.	G"	DN	L mm	l mm	A mm	SW mm	PN bar	weight (g)
9170-04	1/2"	15	65	12	41	27	16	322
9170-05	3/4"	20	80	15	53	32	16	475
9170-06	1"	25	90	19	61	40	16	723
9170-07	1 1/4"	32	105	21	60	50	16	1061
9170-08	1 1/2"	40	120	23	75	56	16	1481
9170-09	2"	50	140	26	78	70	16	2321