

Bronze RG5

TECHNICAL DATA

temperature range : NBR _ 0°C up to max. + 95°C, pressure depending
 metal _ 0°C up to max. + 110°C, pressure depending

pressure range : max. PN 16 bar

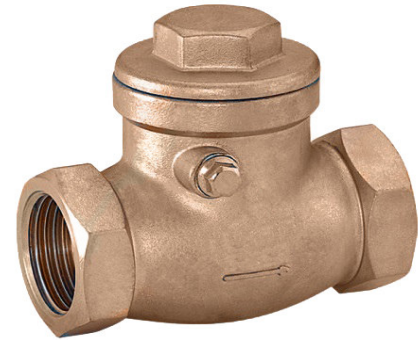
body material : red brass

clapet: CW617N

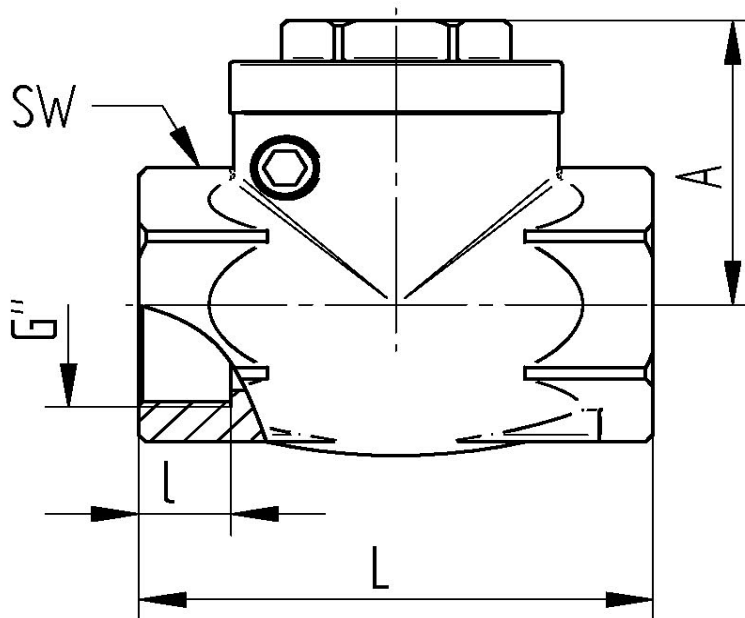
connecting thread : according to DIN ISO 228/1

sealing:

2202 : NBR
 2200 : metal



Connecting thread female/female



Art. Nr.	G"	DN	L mm	l mm	A mm	SW mm	weight (g)
2202/2200-04	1/2"	15	55	11	36	27	218
2202/2200-05	3/4"	20	62	12	43	34	354
2202/2200-06	1"	25	72	12	49	40	488
2202/2200-07	1 1/4"	32	82	14	57	50	737
2202/2200-08	1 1/2"	40	90	14	63	55	848
2202/2200-09	2"	50	105	17	69	68	1402
2202/2200-10	2 1/2"	65	125	18	82	84	2249
2202/2200-11	3"	80	144	20	91	97	3519
2202/2200-12	4"	100	176	22	123	125	6075