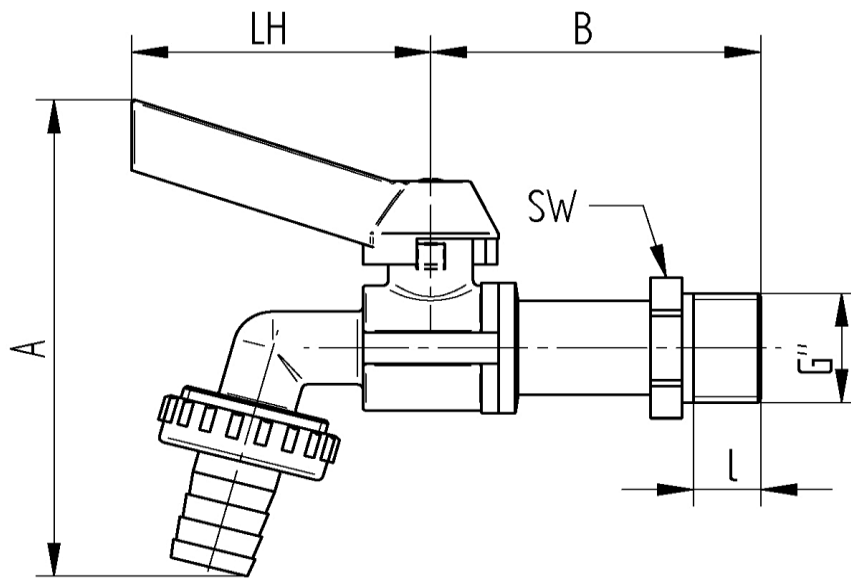
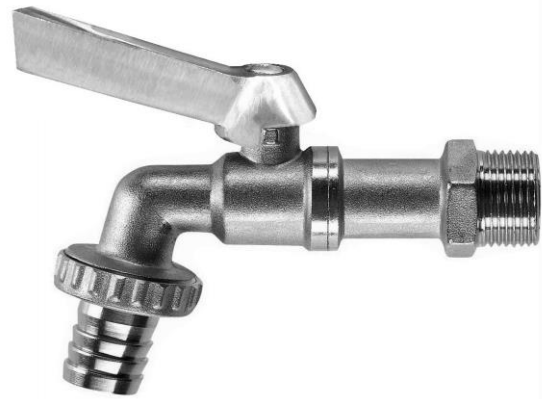


Stainless steel

TECHNICAL DATA

temperature range :	-20°C up to max. +120°C
pressure range :	max. PN 16 bar
conection :	male screw
body material :	stainless steel 1.4408
ball :	stainless steel 1.4408
ball seals :	PTFE
stem :	stainless steel 1.4408
stem seals :	FKM
lever	stainless steel 1.4408



Art. Nr.	G	DN	A mm	LH mm	B mm	l mm	SW mm	PN(bar)	weight (g)
9340-04	1/2"	15	91	53	59	12	24	16	260
9340-05	3/4"	20	99	53	65	12	28	16	366