

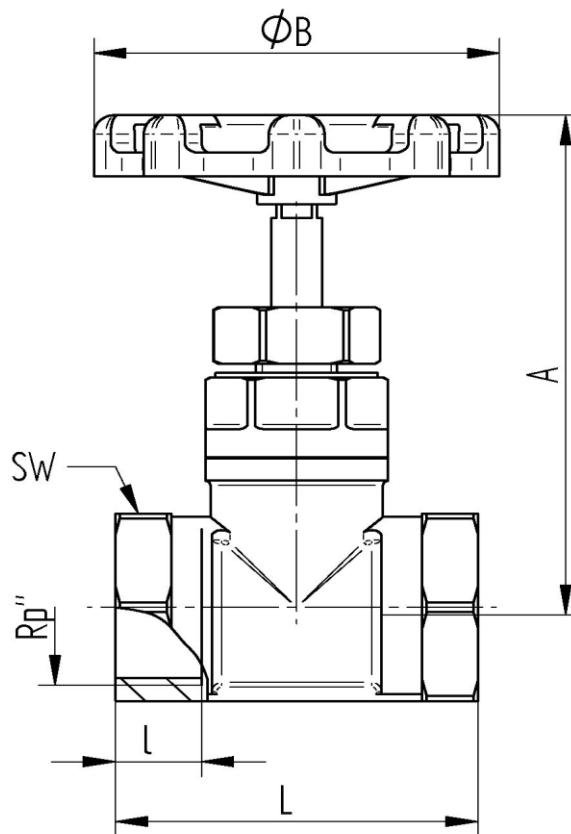
Stainless steel

### TECHNICAL DATA

Operating temperature:	-15°C up to max. +180°C, pressure dependend
Working pressure:	max. PN 16 Bar
Connection thread:	Female thread to DIN EN 10226-1 (DIN 2999)
Case material:	Stainless steel 1.4408
Stem:	Stainless steel 1.4401
Stem sealing:	R-PTFE
Flaschboard:	Metal
Handwheel:	Steel tin, red painted



Connecting thread female/female



Art. Nr.	Rp"	DN	L mm	l mm	SW mm	A mm	øB mm	PN bar	weight (g)
9120-04	1/2"	15	52	13,5	25	80	70	16	204
9120-05	3/4"	20	60	16,5	31	86	70	16	324
9120-06	1"	25	71,5	20	40	103	80	16	633
9120-07	1 1/4"	32	81	22	50	105	80	16	990
9120-08	1 1/2"	40	91	21	54	124	90	16	1279
9120-09	2"	50	101	19	67	138	100	16	2021