

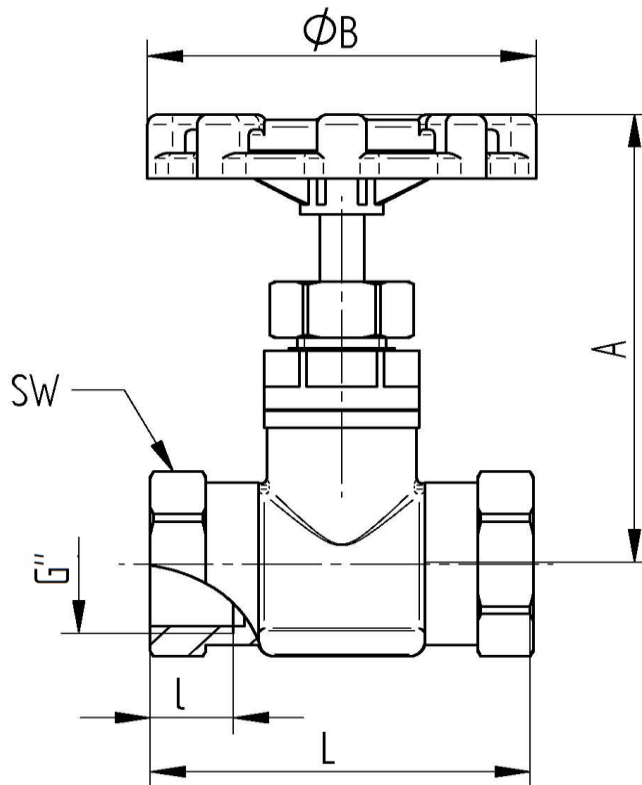
## Stainless steel

### TECHNICAL DATA

Operating temperature:	- 20°C up to max. + 160°C, pressure dependend
Working pressure:	max. PN 16 Bar
Connection thread:	Female thread to DIN EN ISO 228-1
Case material:	Stainless steel 1.4408
Sealing:	PTFE
Stem:	Stainless steel 1.4401
Spindle sealing:	PTFE
Test and inspection:	API 598
Handwheel :	Steel tin, plastic coated red



### Connecting thread female/female



Art. Nr.	G"	DN	L mm	l mm	A mm	øB mm	SW mm	PN bar	weight (g)
9100-04	1/2"	15	56	15	94	70	27	16	415
9100-05	3/4"	20	60	15	101.5	70	34	16	560
9100-06	1"	25	68	19	110.5	70	41	16	750
9100-07	1 1/4"	32	77	19	133	80	52	16	1160
9100-08	1 1/2"	40	80	19	156	100	57	16	1680
9100-09	2"	50	93	22	172.5	100	70	16	2300
9100-10	2 1/2"	65	117	28	209	115	86.5	16	-
9100-11	3"	80	131	34	230	115	106	16	-