

## Ductile graphite iron GGG40

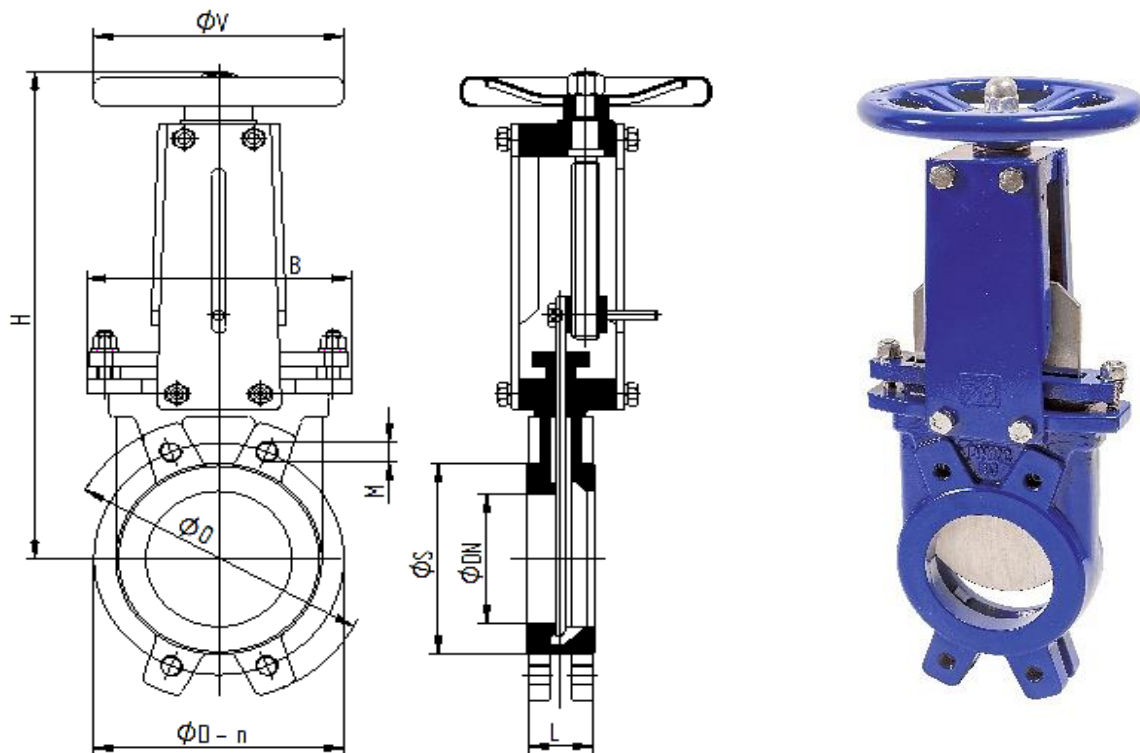
### TECHNICAL DATA

Body material:	GGG40   RAL 5002 coated
Packing gland:	GGG40   RAL 5002 coated
Knife gate:	Stainless steel 1.4301 [AISI 304]
Stem:	Stainless steel 1.4021 [AISI 420]
Support cover:	Steel plates St37   blue RAL 5002 coated
Packing:	PTFE with silicone core, 3-part, adjustable
Retainer ring:	Stainless steel 1.4301 [AISI 304]
Hand wheel:	Steel St37   blue RAL 5002 coated
Stem execution:	non rising

Operating pressure :	max. PN 10 bar
Flange connection :	according to DIN 2501/1 - EN 1092-2

Art.-Nr.	Sealing	Temperature
4871	metallic	-15°C bis 150°C
4872	NBR	-25°C bis 80°C
4873	EPDM	-40°C bis 110°C
4874	FKM	-15°C bis 150°C
4875	PTFE	on request

### Flangeconnection DIN 2501/1 - EN 1092-2



Item No.	øDN	L mm	H mm	B mm	øD mm	n	M	øO mm	øS mm	øV mm	PN bar	Weight (Kg)
487_-08	40	40	295	136	125	4	4xM16	160	95	165	10	7,0
487_-09	50	40	295	136	125	4	4xM16	160	95	165	10	7,0
487_-10	65	40	320	151	145	4	4xM16	180	110	185	10	8,0
487_-11	80	50	340	170	160	8	4xM16	200	127	200	10	10,0
487_-12	100	50	380	190	180	8	4xM16	220	148	220	10	12,0
487_-13	125	50	410	212	210	8	4xM16	245	174	250	10	15,0
487_-14	150	60	476	230	240	8	4xM20	280	199	280	10	21,0
487_-15	200	60	580	286	295	8	4xM20	340	250	340	10	30,0
487_-16	250	70	700	338	350	12	8xM20	390	308	390	10	45,0
487_-17	300	70	810	388	400	12	8xM20	440	360	440	10	61,0
487_-18	350	96	915	460	460	16	10xM20	500	416	505	10	90,0
487_-19	400	100	1050	520	515	16	10xM24	560	466	565	10	126,0