

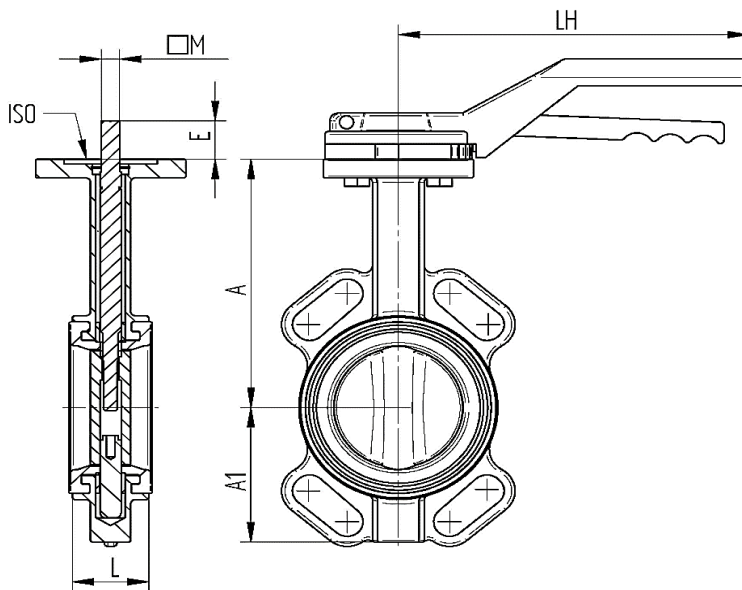
Manually operated

Technical data

| | |
|-----------------------|---|
| Body: | Spheroid ductile iron GGG40 blue RAL5002 coated |
| Disc: | Stainless steel 1.4408 |
| Seat: | Resilient seated [see the table] |
| Shaft: | Stainless steel 1.4021 |
| Shaft sealing: | PTFE+NBR O-Ring |
| Overall length: | Acc.to DIN EN 558-1 |
| Actuator connection: | Acc.to DIN ISO 5211 |
| Flange connection: | Acc.to UNI EN 1092, PN06 - PN10 - PN16 |
| Medium temperature: | Seat dependent [see the table] |
| Pressure rating: | Max. 16 bar temperature dependent |
| Ratchet handle lever: | ≤DN200 Aluminum black coated |
| Worm gear box: | ≤DN200 On request ≥DN250 Aluminum black coated |



| Article No. | Seat | Temperature |
|-------------|--------|--------------------|
| 5100 | EPDM-H | -10°C up to +110°C |
| 5110 | NBR | -10°C up to +90°C |
| 5120 | FKM | -10°C up to +150°C |



| Item No. Size | DN | L mm | A mm | A1 mm | LH mm | E mm | M mm | øISO | PN | Torque [Nm] | | | kg |
|-----------------------------|-----|------|------|-------|-------|------|------|---------|----|-------------|-----|-----|-------|
| 5100 5110 5120-08 | 40 | 33 | 133 | 70 | 210 | 25 | 11 | F05 F07 | 16 | 15 | 19 | 19 | 2,65 |
| 5100 5110 5120-09 | 50 | 43 | 141 | 61 | 210 | 25 | 11 | F05 F07 | 16 | 15 | 19 | 19 | 2,72 |
| 5100 5110 5120-10 | 65 | 46 | 153 | 72 | 210 | 25 | 11 | F07 | 16 | 18 | 23 | 23 | 3,22 |
| 5100 5110 5120-11 | 80 | 46 | 161 | 87 | 210 | 25 | 11 | F07 | 16 | 33 | 41 | 41 | 3,48 |
| 5100 5110 5120-12 | 100 | 52 | 176 | 106 | 210 | 25 | 11 | F07 | 16 | 45 | 56 | 56 | 4,91 |
| 5100 5110 5120-13 | 125 | 56 | 193 | 123 | 210 | 25 | 14 | F07 | 16 | 70 | 88 | 88 | 6,71 |
| 5100 5110 5120-14 | 150 | 56 | 204 | 137 | 210 | 25 | 14 | F07 | 16 | 90 | 113 | 113 | 7,40 |
| 5100 5110 5120-15 | 200 | 60 | 247 | 174 | 340 | 35 | 17 | F10 | 16 | 160 | 200 | 200 | 12,12 |
| Worm gear box wit handwheel | | | | | | | | | | | | | |
| 5100 5110 5120-16 | 250 | 68 | 280 | 209 | - | 25 | 17 | F10 | 16 | 240 | 300 | 300 | 26,0 |
| 5100 5110 5120-17 | 300 | 78 | 324 | 253 | - | 30 | 22 | F10 | 16 | 370 | 460 | 460 | 31,5 |