

Stainless steel

Technical data

9630 T-PORT

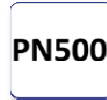
9633 L-PORT

Body:	Stainless steel 1.4404
Body caps:	Stainless steel 1.4404
Connection:	3-way threaded ends acc. to DIN EN ISO 228-1
Ball:	Stainless steel 1.4404
Ball seat:	POM
Stem:	Stainless steel 1.4404
Actuator connection:	DIN EN ISO 5211
Stem packing:	NBR POM
Medium temperature:	-30°C up to +100°C pressure dependent
Pressure rating:	Max. 500 bar temperature dependent
On request	High temperature gasket options Automation by electrical pneumtical actuator

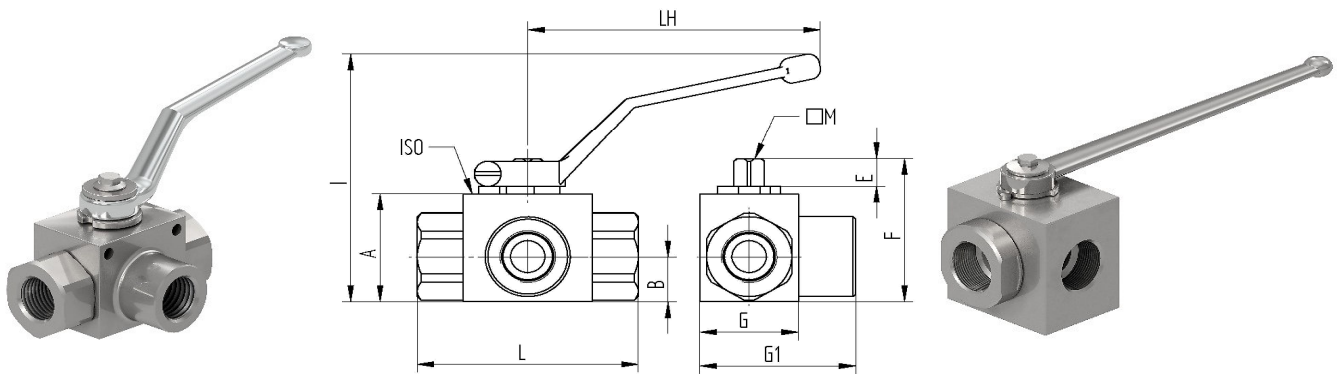
Application

Particularly suitable for oil-hydraulic, industrial plants in generally suitable, which have high pressure exhibit aufweisen.

Approval: ATEX acc.to 2014/34/EU
 EAC acc.to TR CU 010/2011



FE|FE acc.to DIN EN ISO 228-1



Item size 02-06 die-cast zinc handle

Item size 02-06

Item size 07-09 die-cast zinc handle

WARNING: Pressure inlet through central port only!

Ball position by spindle marking.

Item No.	G"	DN	L mm	A mm	B mm	I mm	LH mm	G mm	G1 mm	F mm	E mm	M mm	ISO	PN bar	Weight (Kg)
9630 9633-02	1 4"	6	71	35	14,5	87	110	30	48,5	49	11	9	F 03	500	0,54
9630 9633-03	3 8"	10	73	40	17,4	93	110	35	54,5	54	11	9	F 03	500	0,70
9630 9633-04	1 2"	13	83	43	19,7	97	110	37	58,5	57	11	9	F 03	500	0,83
9630 9633-05	3 4"	20	95	57	25,4	105	180	49	75	75,5	14	14	F 05	420	1,58
9630 9633-06	1"	25	112	65	29,5	113	180	55	89	83,5	14	14	F 05	420	2,42
9630 9633-07	1 1/4"	32	115	93	46,5	120,5	300	99	-	111,5	14	17	F 05	350	5,73
9630 9633-08	1 1/2"	40	131	107	53,5	134,5	300	115	-	125,5	14	17	F 05	350	8,63
9630 9633-09	2"	50	140	114	57	141,5	300	128	-	132,5	14	17	F 05	350	10,61