

Carbon steel

Technical data

4530 T-PORT

4535 L-PORT

Body:	Carbon Steel 1.0737 galvanized
Body caps:	Carbon Steel 1.0737 galvanized
Connection:	Threaded ends acc. to DIN EN ISO 228-1
Ball:	Carbon Steel 1.0737 chromated
Ball seat:	POM
Stem:	Carbon Steel 1.0737 galvanized
Stem packing:	NBR POM
Medium temperature:	-20°C up to +100°C pressure dependent
Pressure rating:	Max. 500 bar temperature dependent

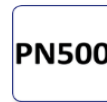
Application

Particularly suitable for oil-hydraulic, industrial plants in generally suitable, which have high pressure exhibit aufweisen.

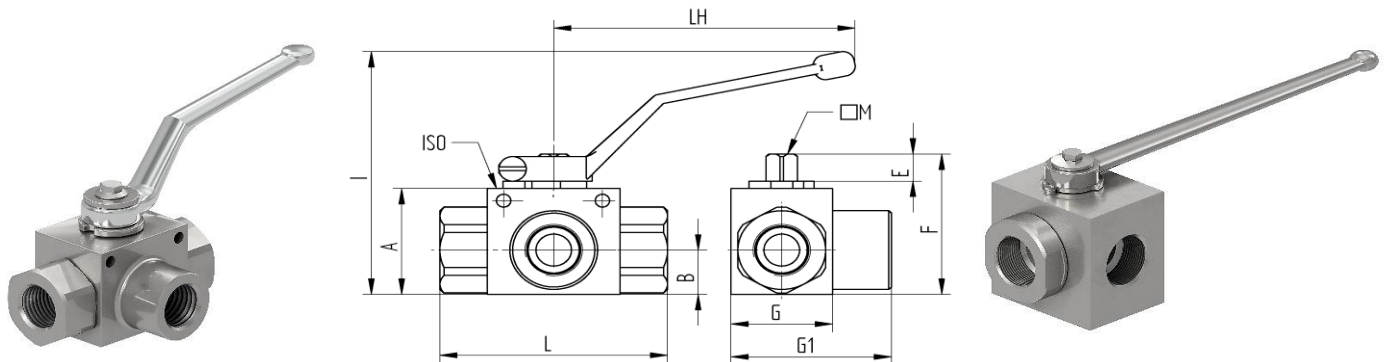
- Approval:**
- ATEX nach 2014/34/EU
 - EAC nach TR CU 010/2011

Note

Pressure supply only via the central connection!
Ball position by spindle marking.



FE|FE acc.to DIN EN ISO 228-1



Item size 02-06 die-cast zinc handle

Item size 02-06

Item size 07-09 die-cast zinc handle

Item No.	G"	DN	L mm	A mm	B mm	I mm	LH mm	G mm	G1 mm	F mm	E mm	M mm	ISO	PN bar	Weight (Kg)
4530 4535-02	1 4"	6	71	35	14,5	87	110	30	48,5	49	11	9	F 03	500	0,54
4530 4535-03	3 8"	10	73	40	17,4	93	110	35	54,5	54	11	9	F 03	500	0,70
4530 4535-04	1 2"	13	83	43	19,7	97	110	37	58,5	57	11	9	F 03	500	0,83
4530 4535-05	3 4"	20	95	57	25,4	105	180	49	75	75,5	14	14	F 05	420	1,58
4530 4535-06	1"	25	112	65	29,5	113	180	55	89	83,5	14	14	F 05	420	2,42
4530 4535-07	1 1/4"	32	115	93	46,5	120,5	300	99	-	111,5	14	17	F 05	350	5,73
4530 4535-08	1 1/2"	40	131	107	53,5	134,5	300	115	-	125,5	14	17	F 05	350	8,63
4530 4535-09	2"	50	140	114	57	141,5	300	128	-	132,5	14	17	F 05	350	10,61