

## Stainless steel

### Technical data

Body:	Stainless steel 1.4404
Body caps:	Stainless steel 1.4404
Connection:	Threaded ends acc. to DIN EN ISO 228-1
Ball:	Stainless steel 1.4404
Ball seat:	POM
Stem:	Stainless steel 1.4404
Stem packing:	NBR   POM
Actuator connection:	DIN EN ISO 5211 [Article with Index 0010]
Medium temperature:	-30°C up to +100°C pressure dependent
Pressure rating:	Max. 500 bar temperature dependent

On request High temperature gasket options

### Application

Particularly suitable for oil-hydraulic, industrial plants in generally suitable, which have high pressure exhibit aufweisen.

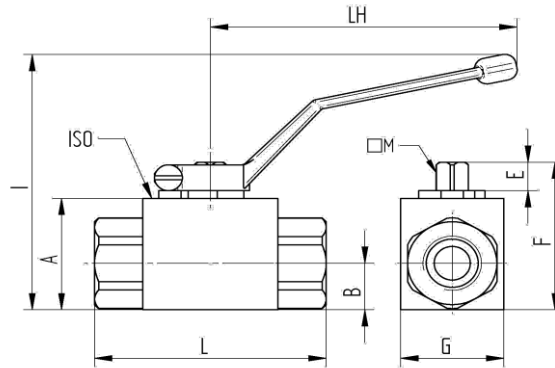
**Approval:**  ATEX acc.to 2014/34/EU  
 EAC acc.to TR CU 010/2011



## FE/FE acc.to DIN EN ISO 228-1



**Item Gr. 02-06**  
without steel handle



**Item Gr. 02-06**



**Item Gr. 07 | 08 | 09**  
without steel handle

Item No.	G"	DN	L mm	A mm	B mm	I mm	LH mm	G mm	F mm	E mm	M mm	PN bar	ISO	Weight (Kg)
9769-02-0010	1/4"	6	71	35	14,5	87	110	30	49	11	9	500	F 03	0,49
9769-03-0010	3/8"	10	73	40	17,4	93	110	35	54	11	9	500	F 03	0,64
9769-04-0010	1/2"	13	83	43	19,7	97	110	37	57	11	9	500	F 03	0,76
9769-05-0010	3/4"	20	95	57	25,4	105	180	49	75,5	14	14	420	F 05	1,44
9769-06-0010	1"	25	112	65	29,5	113	180	55	83,5	14	14	420	F 05	2,22
9769-07-0010	1 1/4"	32	115	89	42,5	162,5	310	85	107,5	14	17	420	F 05	4,49
9769-08-0010	1 1/2"	40	131	106	52,5	179,5	310	105	124,5	14	17	420	F 05	6,75
9769-09-0010	2"	50	140	115,5	58,5	189	310	117	134	14	17	420	F 05	8,71

10/2023

Measurements, as well as pictures are non-binding. We reserve ourselves changes according to the state of the technology

WESA-Armaturen GmbH \* 73650 Winterbach \*Spanninger Straße 5 \* Telefon: +49 (0) 7181 404-0 · Telefax: +49 (0) 7181 404-33

www.wesa-armaturen.de

e-mail : info@wesa-armaturen.de