

Stainless steel

Technical data

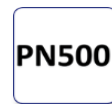
Body:	Stainless steel 1.4404
Body caps:	Stainless steel 1.4404
Connection:	Threaded ends acc. to DIN EN ISO 228-1
Ball:	Stainless steel 1.4404
Ball seat:	POM
Stem:	Stainless steel 1.4404
Stem packing:	NBR POM
Medium temperature:	-30°C up to +100°C pressure dependent
Pressure rating:	Max. 500 bar temperature dependent

On request High temperature gasket options

Application

Particularly suitable for oil-hydraulic, industrial plants in generally suitable, which have high pressure exhibit aufweisen.

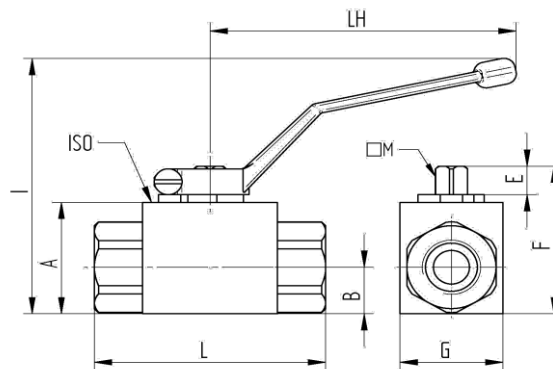
Approval: ATEX acc.to 2014/34/EU
 EAC acc.to TR CU 010/2011



FE|FE acc.to DIN EN ISO 228-1



Item Size 02-06 [without ISO BORE]
die-cast zinc handle



Item Gr. 02-06 [without ISO BORE]



Item Size 07-09 [without ISO BORE]
die-cast zinc handle

Item No.	G"	DN	L mm	A mm	B mm	I mm	LH mm	G mm	F mm	E mm	M mm	PN bar	Weight (Kg)
9769-02	1/4"	6	71	35	14,5	87	110	30	49	11	9	500	0,49
9769-03	3/8"	10	73	40	17,4	93	110	35	54	11	9	500	0,64
9769-04	1/2"	13	83	43	19,7	97	110	37	57	11	9	500	0,76
9769-05	3/4"	20	95	57	25,4	105	180	49	75,5	14	14	420	1,44
9769-06	1"	25	112	65	29,5	113	180	55	83,5	14	14	420	2,22
9769-07	1 1/4"	32	115	89	42,5	162,5	310	85	107,5	14	17	420	4,49
9769-08	1 1/2"	40	131	106	52,5	179,5	310	105	124,5	14	17	420	6,75
9769-09	2"	50	140	115,5	58,5	189	310	117	134	14	17	420	8,71

01/2024