

Stainless steel

TECHNICAL DATA

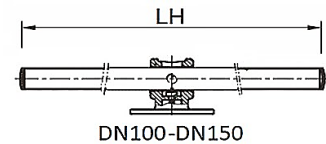
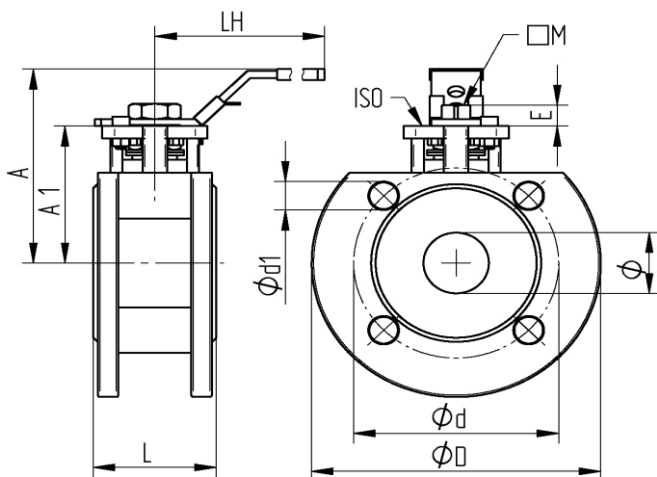
Design:	2-way ball valve, full bore
Construction:	1-part design
Connection end:	Flange according to DIN 2501/1-EN 1092-1
Flange PN40	DN15-DN50+DN80
Flange PN16	DN100-DN150+DN65
Overall length:	According to EN 558-1 series 27
Housing wall thickness:	According to EN 12516-1
Actuator connection:	According to DIN EN ISO 5211 [direct assembly]
Medium temperature:	-20°C to +180°C pressure-dependent
Medium nominal pressure:	Max. 40 bar temperature-dependent
Body:	Stainless steel 1.4408
Screw ring:	Stainless steel 1.4408
Ball:	Stainless steel 1.4401
Stem:	Stainless steel 1.4401 Blow-out proof
Ball seal:	PTFE TFM1600
Stem seal:	PTFE FKM O-ring
DN15-DN80:	Hand lever with locking device
	Stainless steel 1.4301, blue plastic sleeve
DN100-DN150:	Steel pipe handle
	Galvanised steel, blue plastic sleeve
Automation:	Electric pneumatic actuator



- Approval:**
- TA-Luft acc.to DIN EN ISO 15848-1
 - ATEX acc.to 2014/34/EU
 - Antistatic
 - SIL acc.to IEC61508|61518
 - EAC acc.to TR CU 010/2011

- Option:**
- FIRESAFE acc.to DIN EN ISO 10497
 - FDA approval Titel 21, §177.1550
 - LABS FREE

Flange connections



Item No.	DN	ø	L mm	A mm	A1 mm	LH mm	øD mm	ød mm	ød1 mm	M mm	E mm	ISO	PN bar	Weight (Kg)
932-04	15	15	42	82	48	145	95	65	4xM12	9	9	F03/04	40	1,30
932-05	20	20	44	85	51	145	105	75	4xM12	9	9	F03/04	40	1,75
932-06	25	25	50	98	62	175	115	85	4xM12	11	11	F04/05	40	2,13
932-07	32	32	60	110	72	175	140	100	4xM16	11	11	F04/05	40	3,68
932-08	40	38	65	115	78	196	150	110	4xM16	14	14	F05/07	40	4,65
932-09	50	50	80	123	86	196	165	125	4xM16	14	14	F05/07	40	6,28
932-10	65	63,5	110	168	110	265	185	145	4xM16	17	17	F07/10	16	10,10
932-11	80	76	120	170	116	265	200	160	8xM16	17	17	F07/10	40	14,42
932-12	100	95	150	210	139	400	220	180	8xM16	22	22	F10	16	22,65
932-13	125	118	180	256	176	800	250	210	8xM16	27	27	F12	16	33,50
932-14	150	142	225	272	192	800	285	240	8xM20	27	27	F12	16	50,60