

## Stainless steel

### TECHNICAL DATA

Design:	2-way ball valve, full bore
Construction:	2-part design
Connection end:	Flange according to DIN 2501/1-EN 1092-1
Flange PN40	DN15-DN50
Flange PN16	DN65-DN200
Overall length:	According to EN 558-1 series 27
Housing wall thickness:	According to EN 12516-1
Actuator connection:	According to DIN EN ISO 5211 [direct assembly]
Medium temperature:	-20°C to +180°C pressure-dependent
Medium nominal pressure:	Max. 40 bar temperature-dependent
Vacuum:	0,1 mbar up to 1,0 mbar
Housing:	Stainless steel 1.4408
Ball:	Stainless steel 1.4401
Stem:	Stainless steel 1.4401 Blow-out proof
Ball seal:	PTFE TFM1600
Stem seal:	PTFE   FKM O-ring
DN15-DN65:	Hand lever with locking device
	Stainless steel 1.4301, blue plastic sleeve
DN80-DN200:	Steel pipe handle
	Galvanised steel, blue plastic sleeve
Automation:	Electric   pneumatic actuator

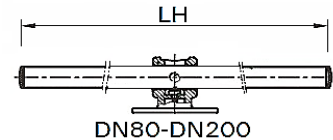
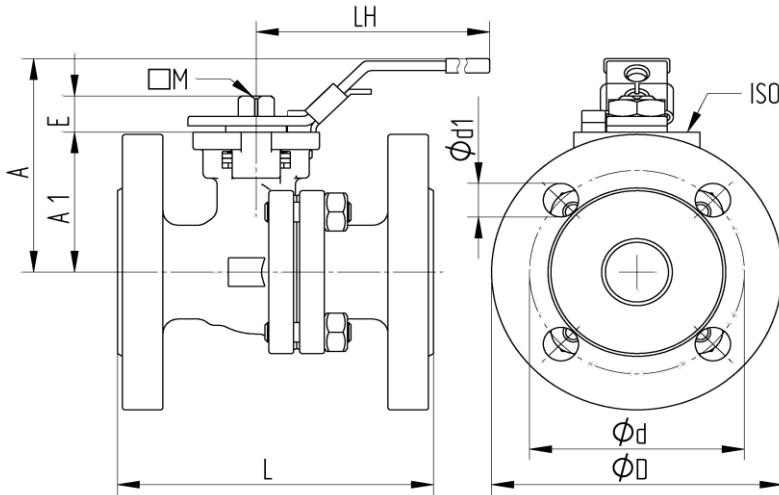


- Approval:**
- TA-Luft acc.to DIN EN ISO 15848-1
  - ATEX acc.to 2014/34/EU
  - Antistatic
  - SIL acc.to IEC61508|61518
  - EAC acc.to TR CU 010/2011

- Option:**
- FIRESAFE acc.to DIN EN ISO 10497
  - FDA approval Titel 21, §177.1550
  - LABS FREE



### Flange connections



Item No.	DN	L mm	A1 mm	A mm	LH mm	øD mm	ød mm	ød1 mm	M mm	E mm	ISO	PN(bar)	Weight (kg)
921-04	15	115	48	78	145	95	65	4xø14	9	9	F 03/04	40	2,37
921-05	20	120	53	84	145	105	75	4xø14	9	9	F 03/04	40	3,15
921-06	25	125	58,5	90	175	115	85	4xø14	11	11	F 04/05	40	4,09
921-07	32	130	71	102	175	140	100	4xø18	11	11	F 04/05	40	5,56
921-08	40	140	76	110	190	150	110	4xø18	14	14	F 05/07	40	6,98
921-09	50	150	85	118	190	165	125	4xø18	14	14	F 05/07	40	9,67
921-10	65	170	101,5	150	265	185	145	4xø18	17	17	F 07/10	16	13,90
921-11	80	180	111,5	176	300	200	160	8xø18	17	17	F 07/10	16	18,10
921-12	100	190	140	210	400	220	180	8xø18	22	22	F 10	16	25,30
921-13	125	325	183	263	600	250	210	8xø18	27	27	F 12	16	51,00
921-14	150	350	204	284	800	285	240	8xø22	27	27	F 12	16	72,50
921-15	200	400	252,5	334	800	340	295	12xø22	27	27	F 14	16	120,00