

## Stainless steel

### TECHNICAL DATA

Design:	2-way ball valve, full bore
Construction:	3-part design
Connection end:	Female thread acc.to DIN EN ISO 228-1
Actuator connection:	According to DIN EN ISO 5211 [direct assembly]
Medium temperature:	-20°C to +180°C pressure-dependent
Medium pressure:	Max. 63 bar temperature-dependent
Body:	Stainless steel 1.4408
Body cap:	Stainless steel 1.4408
Ball:	Stainless steel 1.4401
Stem:	Stainless steel 1.4401 Blow-out proof
Ball seal:	PTFE TFM1600
Stem seal:	PTFE   FKM O-ring
Actuation:	Hand lever with locking device Stainless steel 1.4301, blue plastic sleeve
Automation:	Electric   pneumatic actuator
Inspection und Test :	API 598, EN 12266

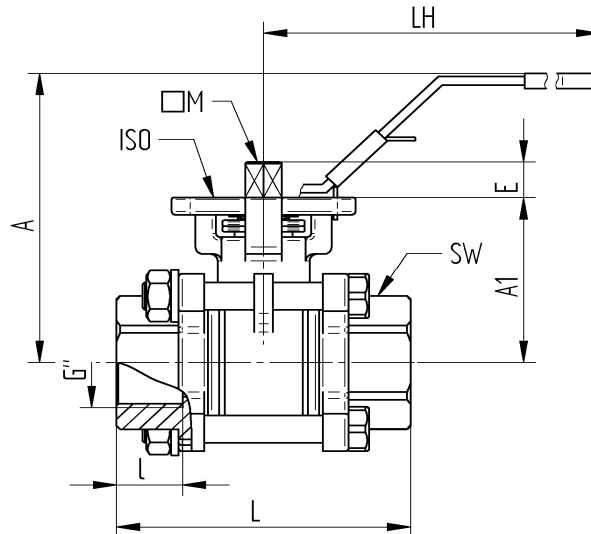


- Approval:**
- TA-Luft acc.to DIN EN ISO 15848-1
  - ATEX acc.to 2014/34/EU
  - Antistatisch
  - SIL acc.to IEC61508 | 61518
  - EAC acc.to TR CU 010/2011

- Option:**  FDA approval Titel 21, \$177.1550



### Connecting thread female/female



Item No.	DN	G	L mm	I mm	A mm	A1 mm	LH mm	SW mm	E mm	M mm	ø ISO	PN bar	Weight (Kg)
9323-02	8	1/4"	75	17	77	42	147	28	9	9	F03/04	63	0,64
9323-03	10	3/8"	75	17	77	42	147	28	9	9	F03/04	63	0,65
9323-04	15	1/2"	75	17	77	42	147	28	9	9	F03/04	63	0,68
9323-05	20	3/4"	80	18	83	48,5	147	35	9	9	F03/05	63	0,95
9323-06	25	1"	90	22	100	58,5	177	42	11	11	F04/05	63	1,40
9323-07	32	1 1/4"	110	23	98	63	177	52	11	11	F04/07	63	2,21
9323-08	40	1 1/2"	120	25	90	71	197	59	14	14	F05/07	63	2,99
9323-09	50	2"	140	26	118	78	197	72	14	14	F05/07	63	4,50
9323-10	65	2 1/2"	185	35	161	100	267	87	17	17	F07/10	63	8,40
9323-11	80	3"	205	35	153	109	267	102	17	17	F07/10	63	12,30
9323-12	100	4"	240	38	183	140	400	132	22	22	F10	63	23,70