

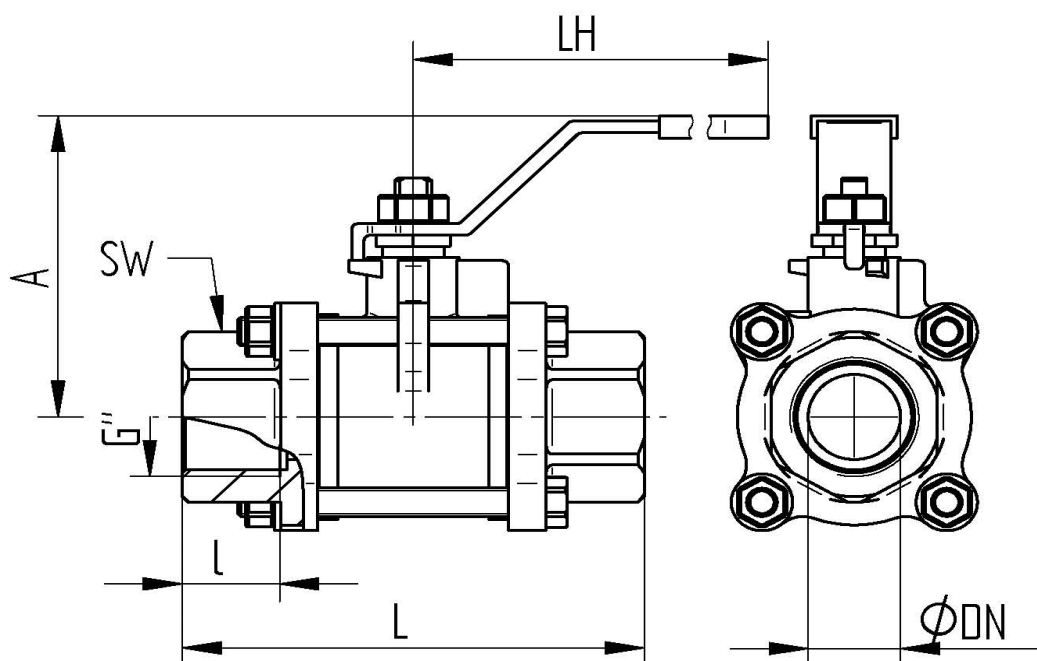
Stainless steel

TECHNICAL DATA

operating temperature:	- 20°C to max. +180°C, dependent on pressure
working pressure:	max. PN 63 bar
connecting thread:	DIN EN ISO 228-1
body material :	stainless steel - 1.4408
ball :	stainless steel - 1.4408
ball seal :	PTFE - (fiber-glass reinforced)
stem :	stainless steel - 1.4401
stem seals :	PTFE
license :	no
lever :	stainless steel plastic coated blue with drilling for padlock
locking flap :	stainless steel 1.4401



Connecting thread female/female



Art. Nr.	G"	øDN	L mm	l mm	A mm	LH mm	SW mm	PN (bar)	weight (g)
9322-02	1/4"	12,5	72	12	48	105	21,7	63	270
9322-03	3/8"	12,5	72	18	48	105	21,7	63	280
9322-04	1/2"	15	72	20,5	50	105	25,6	63	405
9322-05	3/4"	20	80	21,5	52	126	31,5	63	655
9322-06	1"	25	85	21	65	144	40	63	920
9322-07	1 1/4"	32	105	26,5	70	144	48,5	63	1499
9322-08	1 1/2"	38	113	25	85	189	54	63	2157
9322-09	2"	50	132	27	93	189	66	63	3527
9322-10	2 1/2"	65	170	38	116	224	87	40	7100
9322-11	3"	76	186	38	125	224	100	40	9900
9322-12	4"	94	220	40	180	251	/	40	17500