

Stainless steel

TECHNICAL DATA

Design:	2-way ball valve, full bore
Construction:	2-part design
Connection end:	Long-Threaded ends acc.to DIN EN ISO 228-1
Actuator connection:	According to DIN EN ISO 5211 [direct assembly]
Medium temperature:	-20°C to +180°C pressure-dependent
Medium pressure:	Max.63 bar temperature-dependent
Vacuum:	0,1 mbar up to 1,0 mbar
Body:	Stainless steel 1.4408
Body cap:	Stainless steel 1.4408
Ball:	Stainless steel 1.4401
Stem:	Stainless steel 1.4401 Blow-out proof
Ball seal:	PTFE TFM1600
Stem seal:	PTFE FKM O-ring
Actuation:	Hand lever with locking device Stainless steel 1.4301, blue plastic sleeve
Automation:	Electric pneumatic actuator
Inspection und Test :	API 598, EN 12266

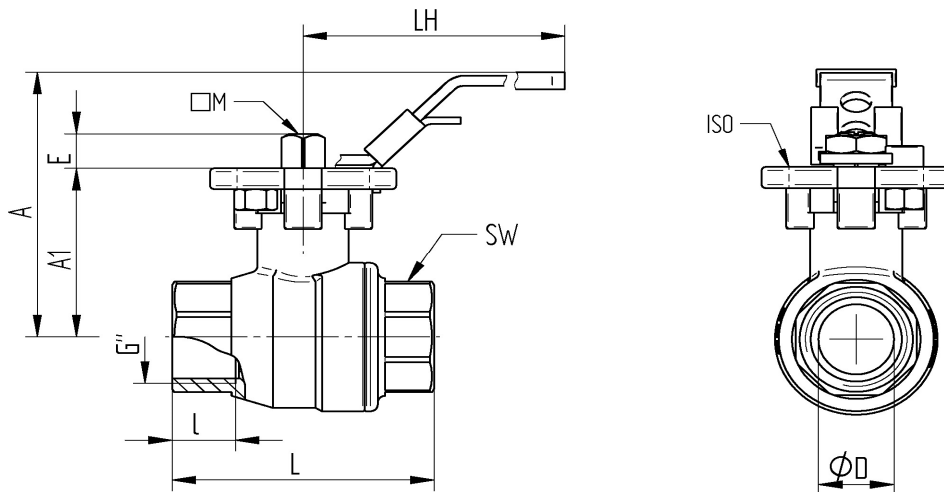


- Approval:**
- TA-Luft acc.to DIN EN ISO 15848-1
 - ATEX acc.to 2014/34/EU
 - Antistatic
 - SIL acc.to IEC61508|61518
 - EAC acc.to TR CU 010/2011

- Option:**
- FIRESAFE acc.to DIN EN ISO 10497
 - FDA approval Titel 21, §177.1550
 - LABS FREE



Connecting thread female/male



Item No.	DN	G"	øD mm	A mm	A1 mm	LH mm	l mm	L mm	E mm	M mm	øISO	SW mm	PN bar	Gewicht (Kg)
9650-02	8	1/4"	10,6	42	69	150	12	67	9	9	F03/04	27	63	0,56
9650-03	10	3/8"	12,7	42	69	150	11	67	9	9	F03/04	27	63	0,51
9650-04	15	1/2"	15	42	69	150	15	67	9	9	F03/04	27	63	0,50
9650-05	20	3/4"	20	49	76	150	17	70,4	9	9	F03/05	32	63	0,60
9650-06	25	1"	25	58	89	175	19	85	11	11	F04/05	41	63	1,04
9650-07	32	1 1/4"	32	63	93	175	20	94	11	11	F04/07	50	63	1,40
9650-08	40	1 1/2"	38	71	105	200	22	105	14	14	F05/07	56	63	2,14
9650-09	50	2"	50	78	111	200	22	125	14	14	F05/07	70	63	3,18
9650-10	65	2 1/2"	63,5	101,5	146	270	31	155	17	17	F07/10	83	63	6,04
9650-11	80	3"	76	109	154	270	31	173	17	17	F07/10	102	63	9,17